

UNISER

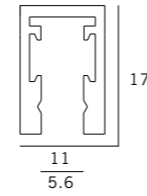
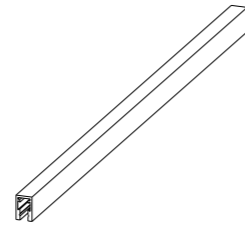


Evolutional

LED Lighting

Commercial





Product Code

Material

Finish

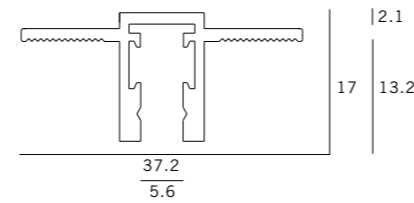
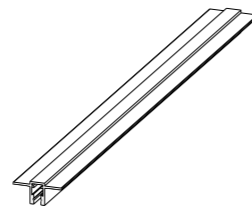
Size (mm)

SPS-S5

Aluminum

● ○

L1000xW11xH17
L2000xW11xH17
L3000xW11xH17



Product Code

Material

Finish

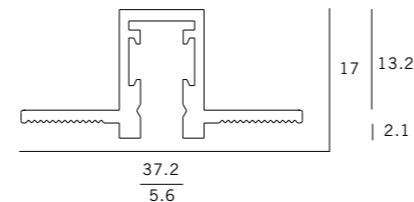
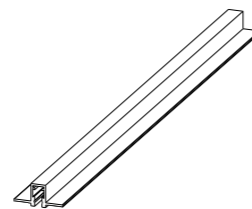
Size (mm)

SPS-R5

Aluminum

● ○

L1000xW37.2xH17
L2000xW37.2xH17
L3000xW37.2xH17



Product Code

Material

Finish

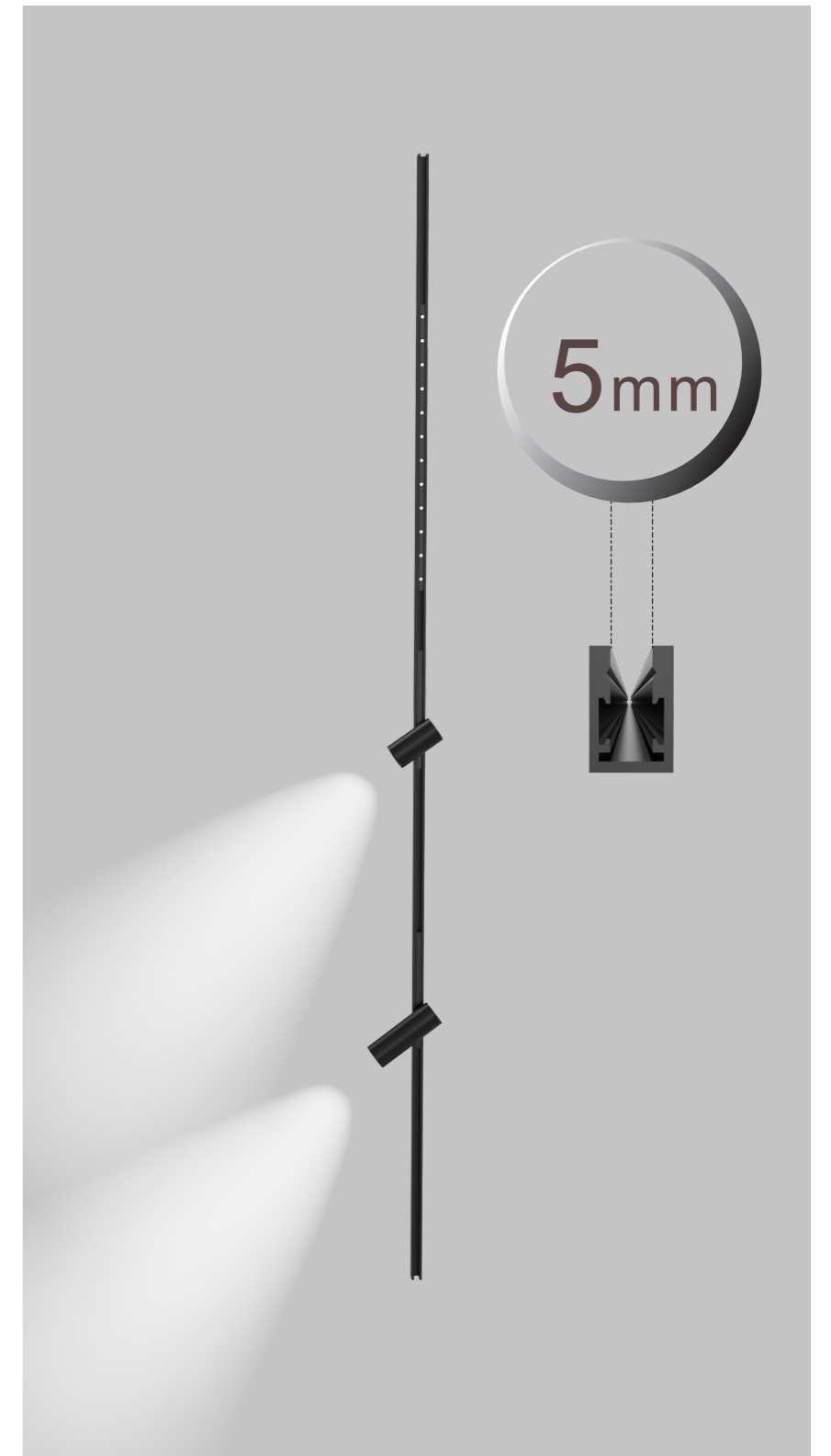
Size (mm)

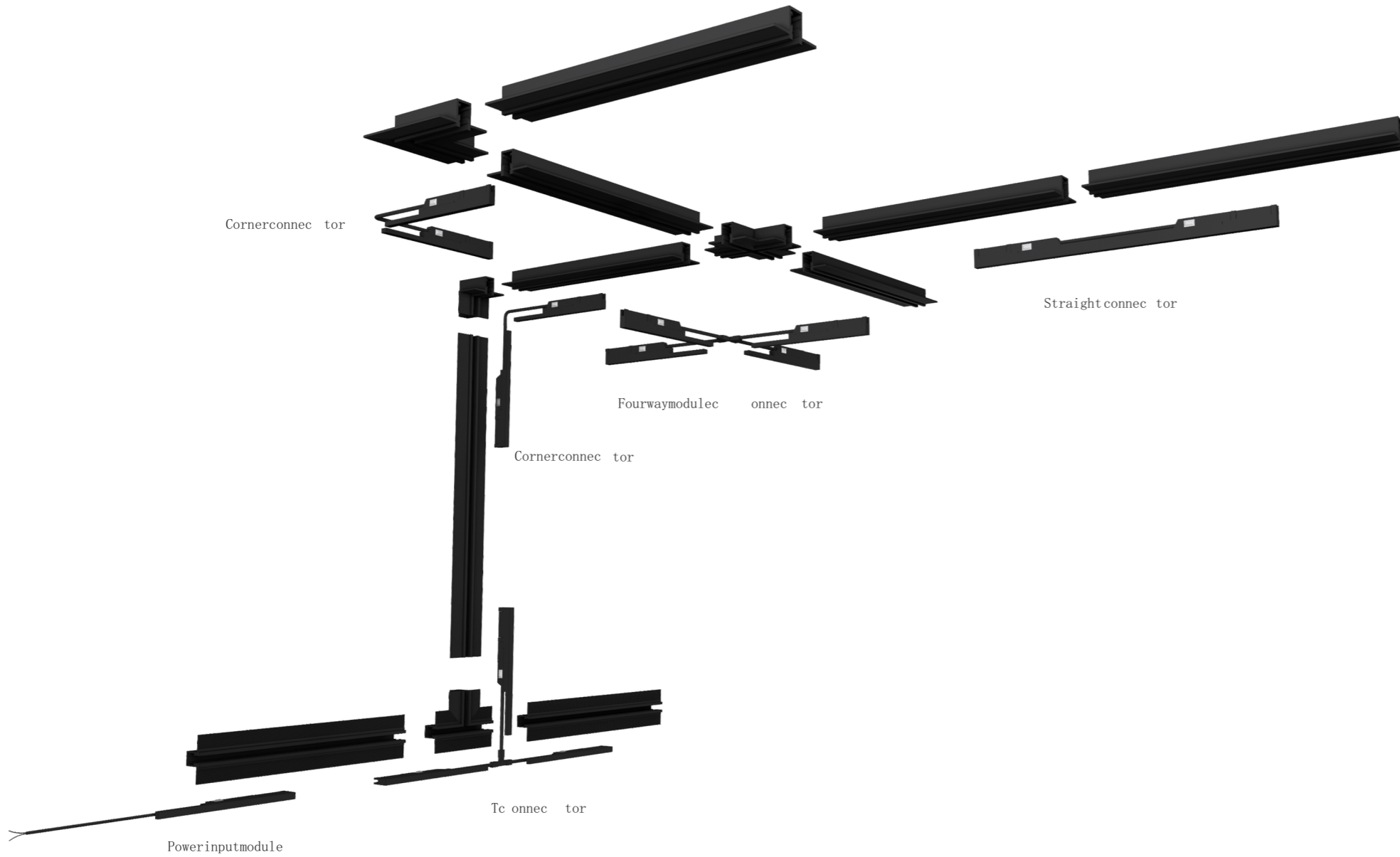
SPS-RF5

Aluminum

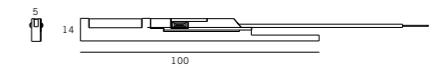
● ○

L1000xW37.2xH17
L2000xW37.2xH17
L3000xW37.2xH17

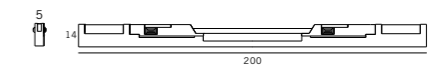




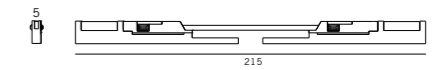
Powerinputmodule
Size: L100xW5xH14mm



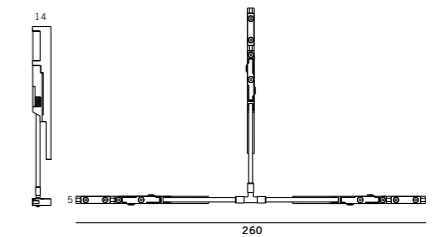
Straightconec tor
Size: L200xW5xH14mm



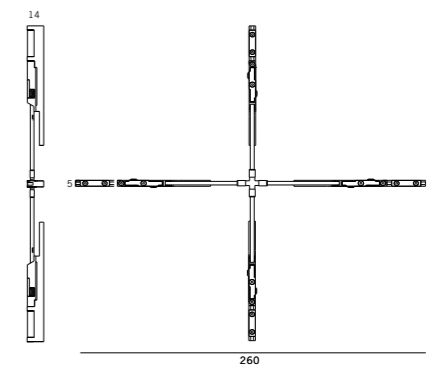
Cornerconec tor
Size: L215xW5xH14mm

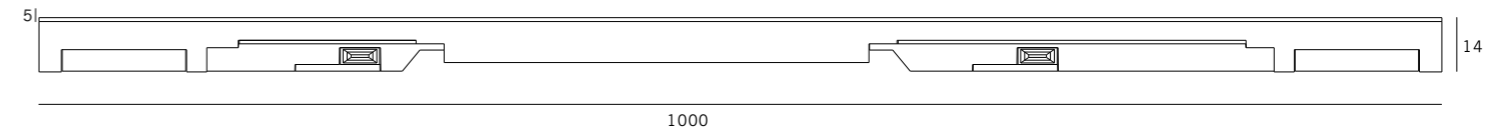
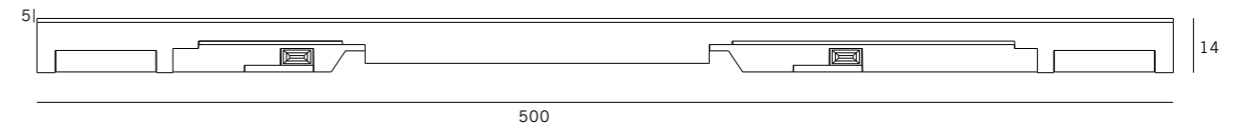
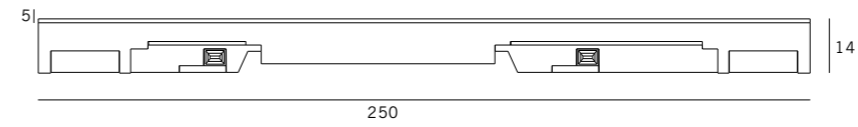


Tc onnec tor
Size: L260xW5xH14mm



Fourwaymodulec onnec tor
Size: L260xW5xH14mm





Product Code	Watt	>CRI	Voltage	Product Size	Finish	CCT	System Options
SPS-FL250	6W	Ra90	48V	250x5x14	■ BK □ WH	2700K	O-10V
SPS-FL500	12W	Ra90	48V	500x5x14		3000K	TUYA
SPS-FL1000	24W	Ra90	48V	1000x5x14		4000K	DALI
						5000K	

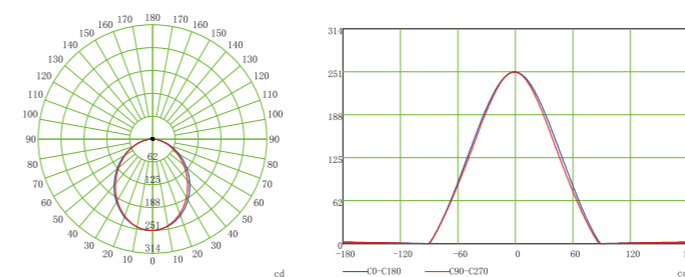
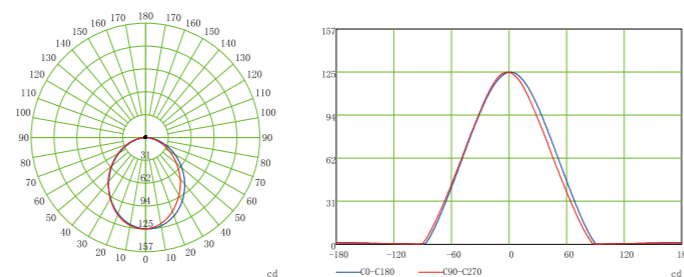
Beam angle

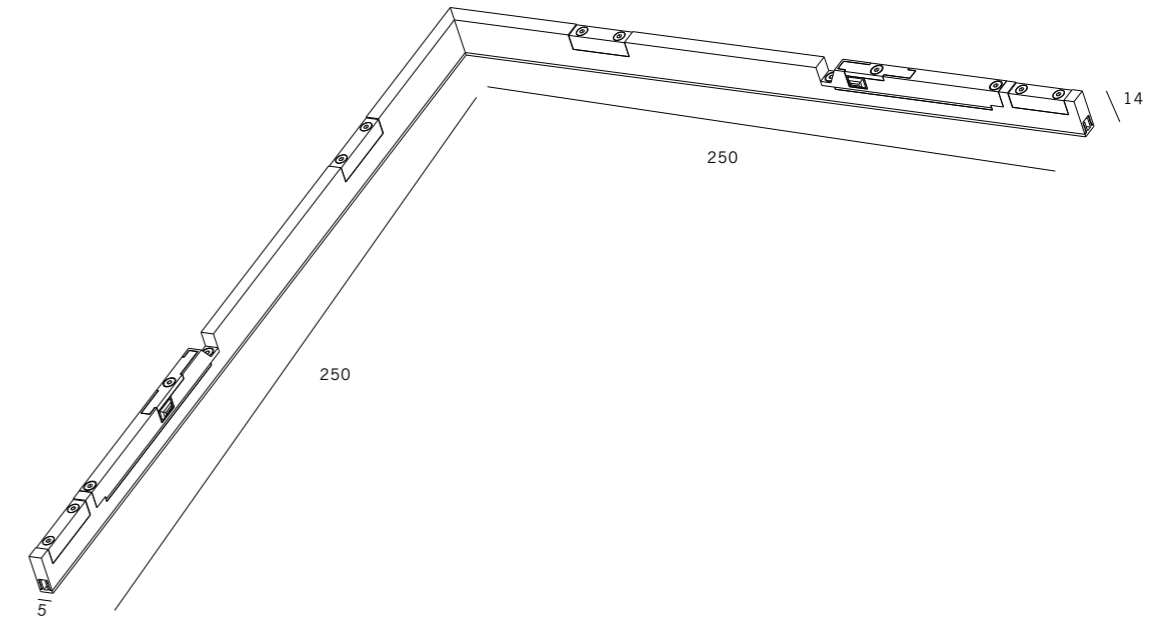
Light distribution curve

Light distribution curve



100°

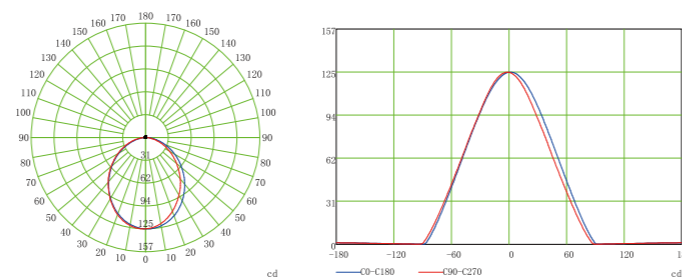


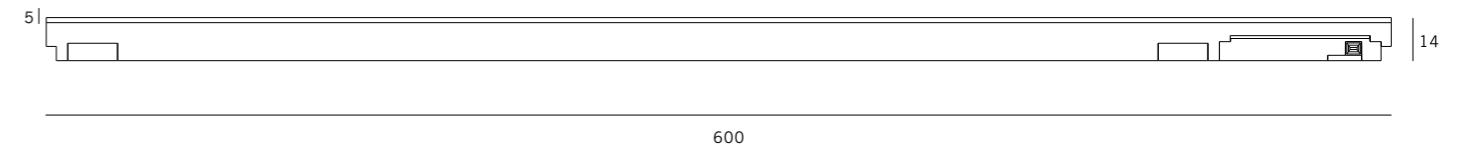


Product Code	Watt	>CRI	Voltage	Product Size	Finish	CCT	System Options
SPS-FL-90°	12W	Ra90	48V	250x250x5x14	<div style="display: flex; align-items: center;"> <div style="width: 15px; height: 15px; background-color: black; margin-right: 5px;"></div> BK <div style="width: 15px; height: 15px; border: 1px solid black; margin-left: 15px; margin-right: 5px;"></div> WH </div>	2700K 3000K 4000K 5000K	0-10V TUYA DALI
Beam angle	Light distribution curve						



100°





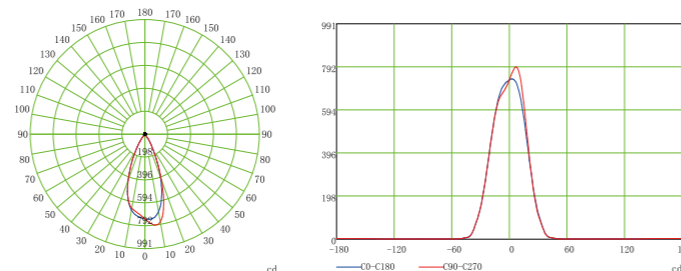
Product Code	Watt	>CRI	Voltage	Product Size	Finish	CCT	System Options
SPS-GL12	8W	Ra90	48V	300x5x14	■ BK	2700K	0-10V
SPS-GL24	16W	Ra90	48V	600x5x14	□ WH	3000K	TUYA
						4000K	DALI
						5000K	

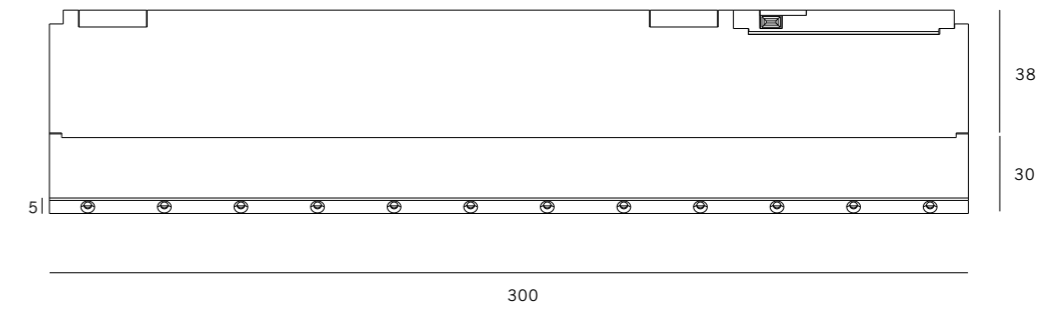
Beam angle

Light distribution curve



80°

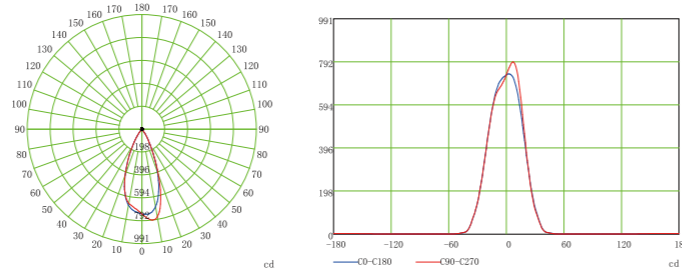


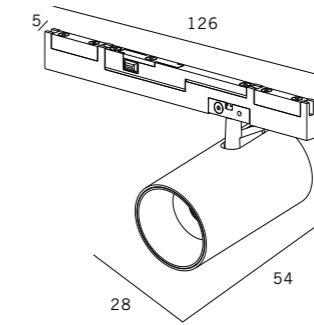


Product Code	Watt	>CRI	Voltage	Product Size	Finish	CCT	System Options
SPS-GLM12	8W	Ra90	48V	300x5x68	<ul style="list-style-type: none"> BK WH 	2700K 3000K 4000K 5000K	0-10V TUYA DALI
Beam angle		Light distribution curve					



80°





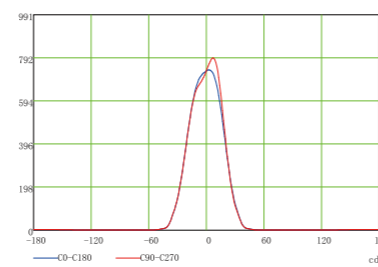
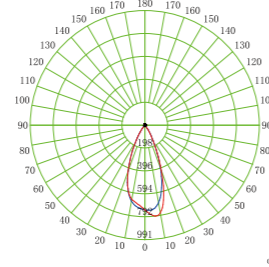
Product Code	Watt	>CRI	Voltage	Product Size	Finish	CCT	System Options
SPS-SL4	4W	Ra90	48V	Φ 28x54x126	<ul style="list-style-type: none"> ■ BK □ WH 	2700K 3000K 4000K 5000K	0-10V TUYA DALI

Beam angle

Light distribution curve

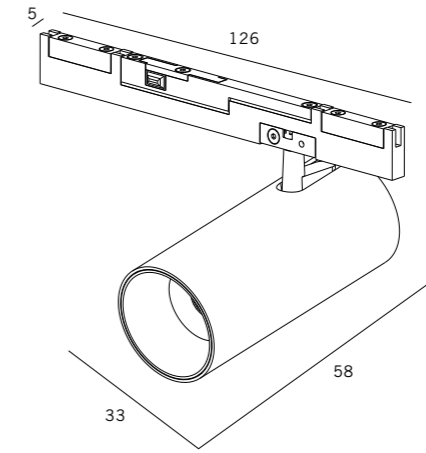


50°



SUPERSLIM
SPS LOCUS SUPER SPOT

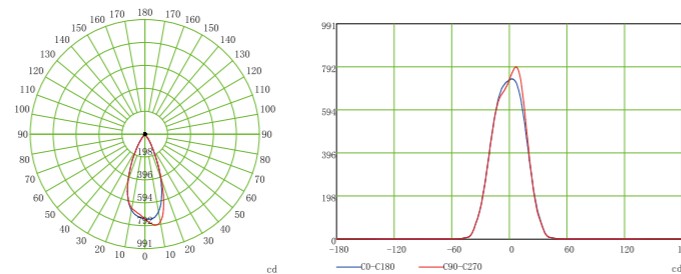
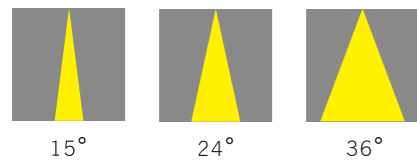
UNISER

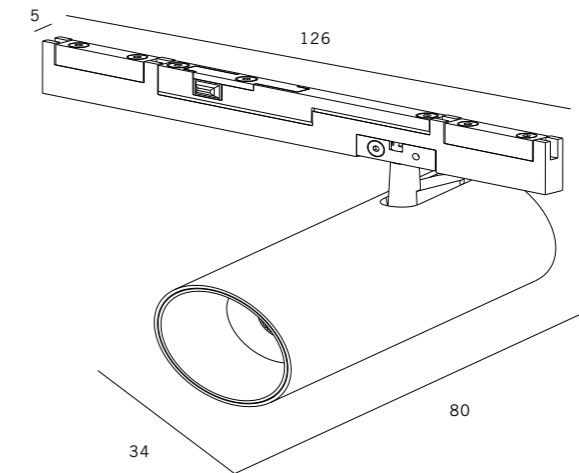


Product Code	Watt	>CRI	Voltage	Product Size	Finish	CCT	System Options
SPS-SL7	7W	Ra90	48V	Φ34x58x126	■ BK □ WH	2700K 3000K 4000K 5000K	0-10V TUYA DALI

Beam angle

Light distribution curve

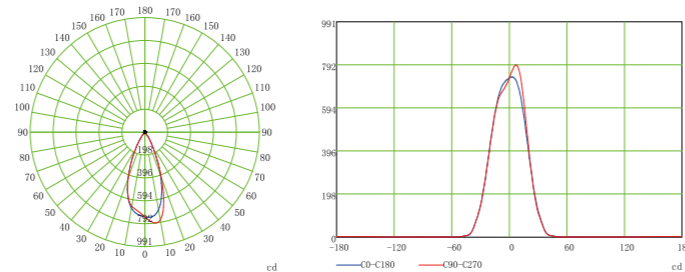
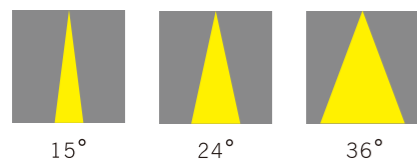


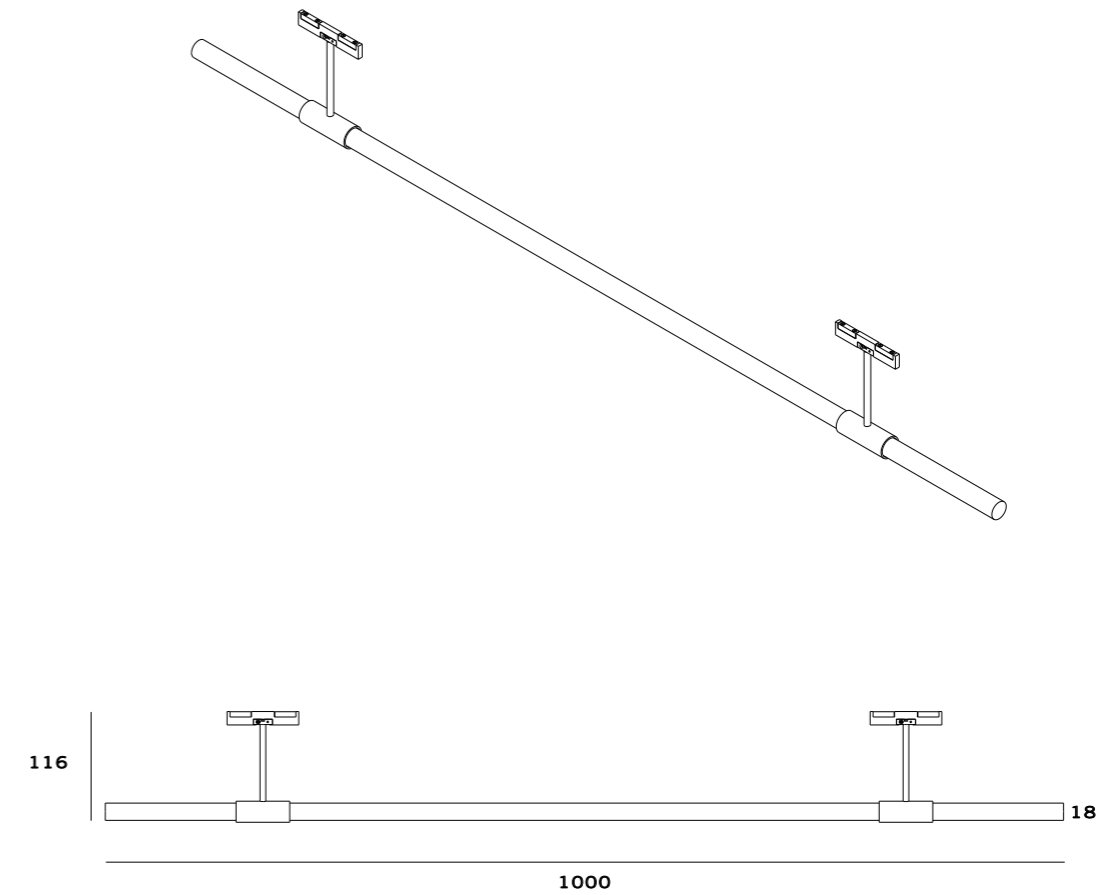


Product Code	Watt	>CRI	Voltage	Product Size	Finish	CCT	System Options
SPS-SL10	10W	Ra90	48V	Φ34x80x126	<ul style="list-style-type: none"> ■ BK □ WH 	2700K 3000K 4000K 5000K	0-10V TUYA DALI

Beam angle

Light distribution curve



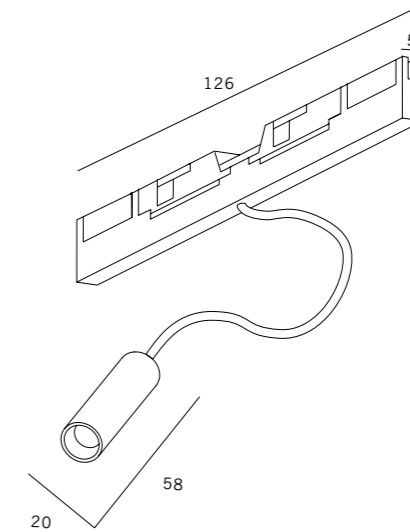


Product Code	Watt	>CRI	Voltage	Product Size	Finish	CCT	System Options
SPS-NEON-1000	18W	Ra90	48V	Φ 18*L1000	<ul style="list-style-type: none"> ■ BK □ WH 	<ul style="list-style-type: none"> 2700K 3000K 4000K 5000K 	<ul style="list-style-type: none"> O-10V TUYA DALI

Beam angle



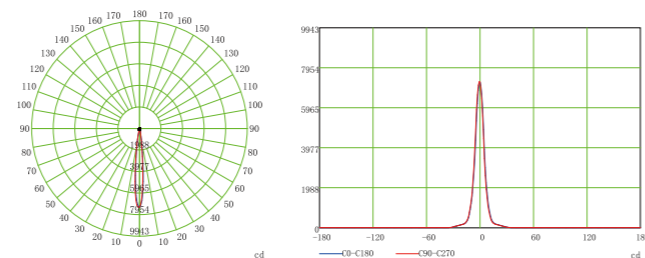
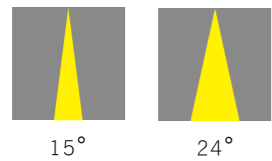
360°

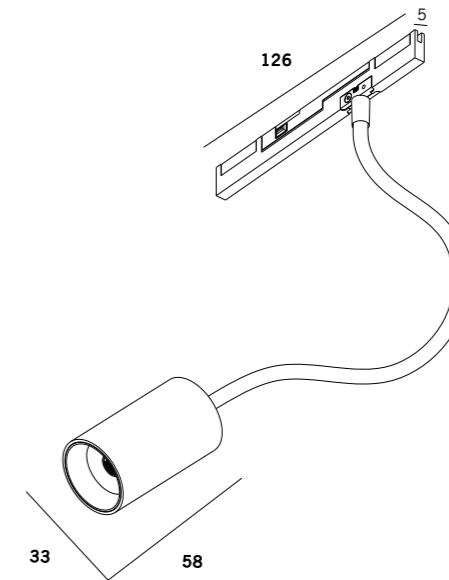


Product Code	Watt	>CRI	Voltage	Product Size	Finish	CCT	System Options
SPS-LF2	2W	Ra90	48V	Φ 20x58x126	<ul style="list-style-type: none"> ■ BK □ WH 	2700K 3000K 4000K 5000K	0-10V TUYA DALI

Beam angle

Light distribution curve





Product Code

Watt

>CRI

Voltage

Product Size

Finish

CCT

System Options

SPS-LF4

4W

Ra90

48V

Φ 34x58x126

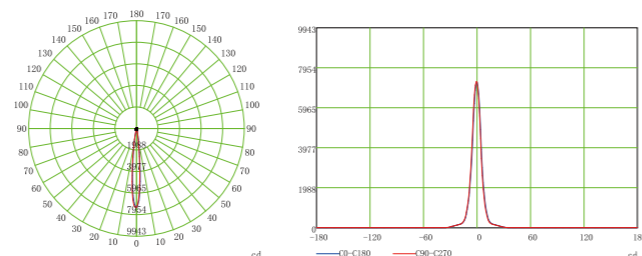
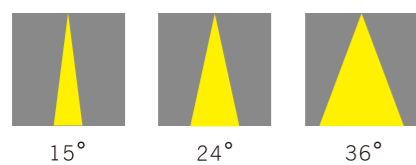
- BK
- WH

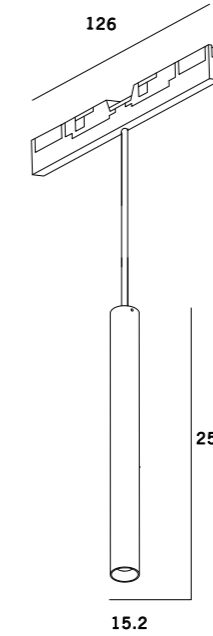
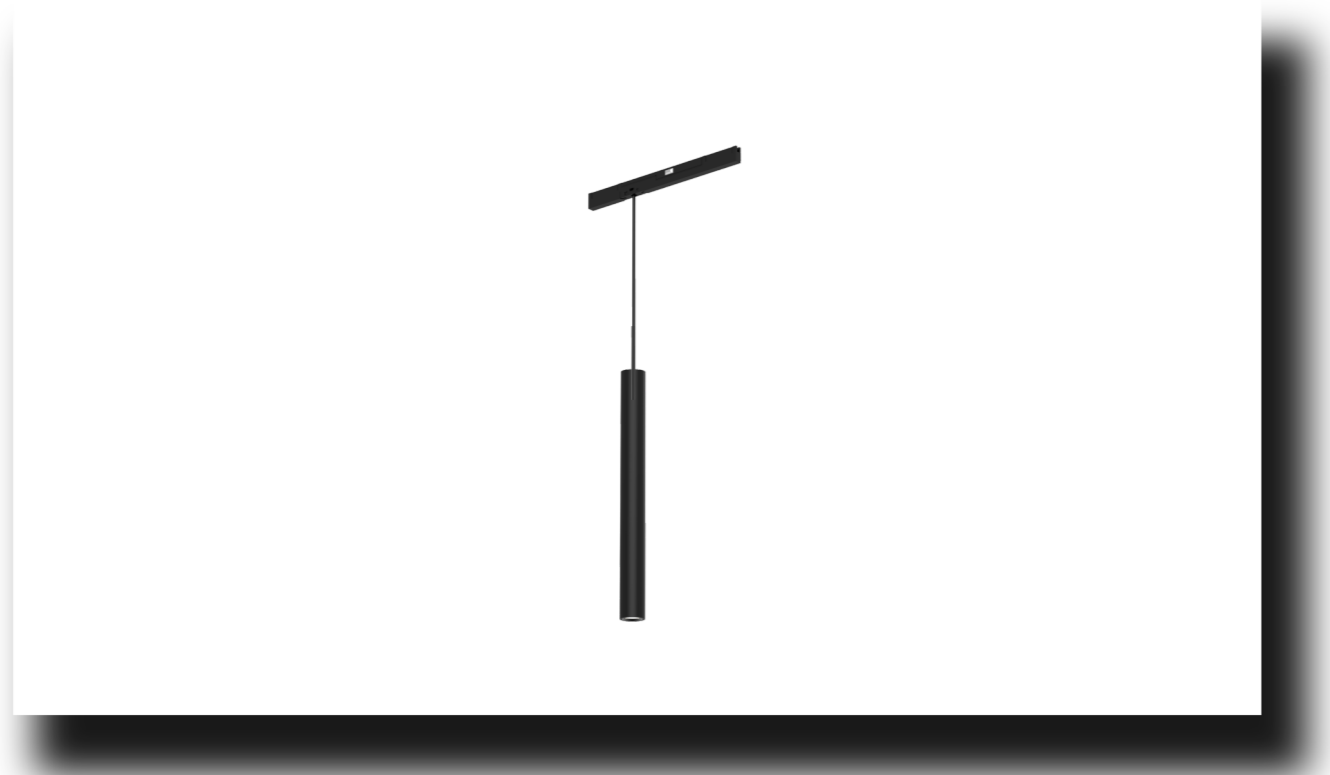
- 2700K
- 3000K
- 4000K
- 5000K

- 0-10V
- TUYA
- DALI

Beam angle

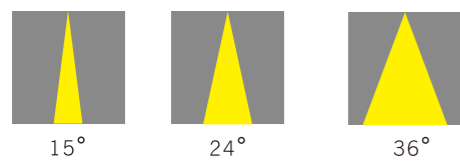
Light distribution curve

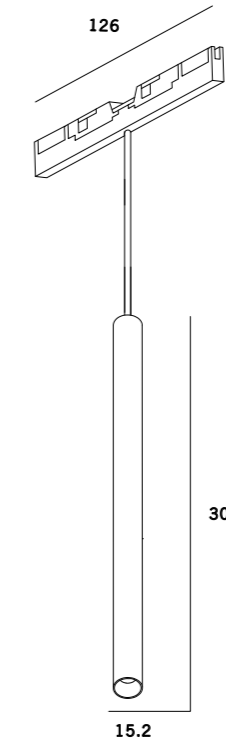
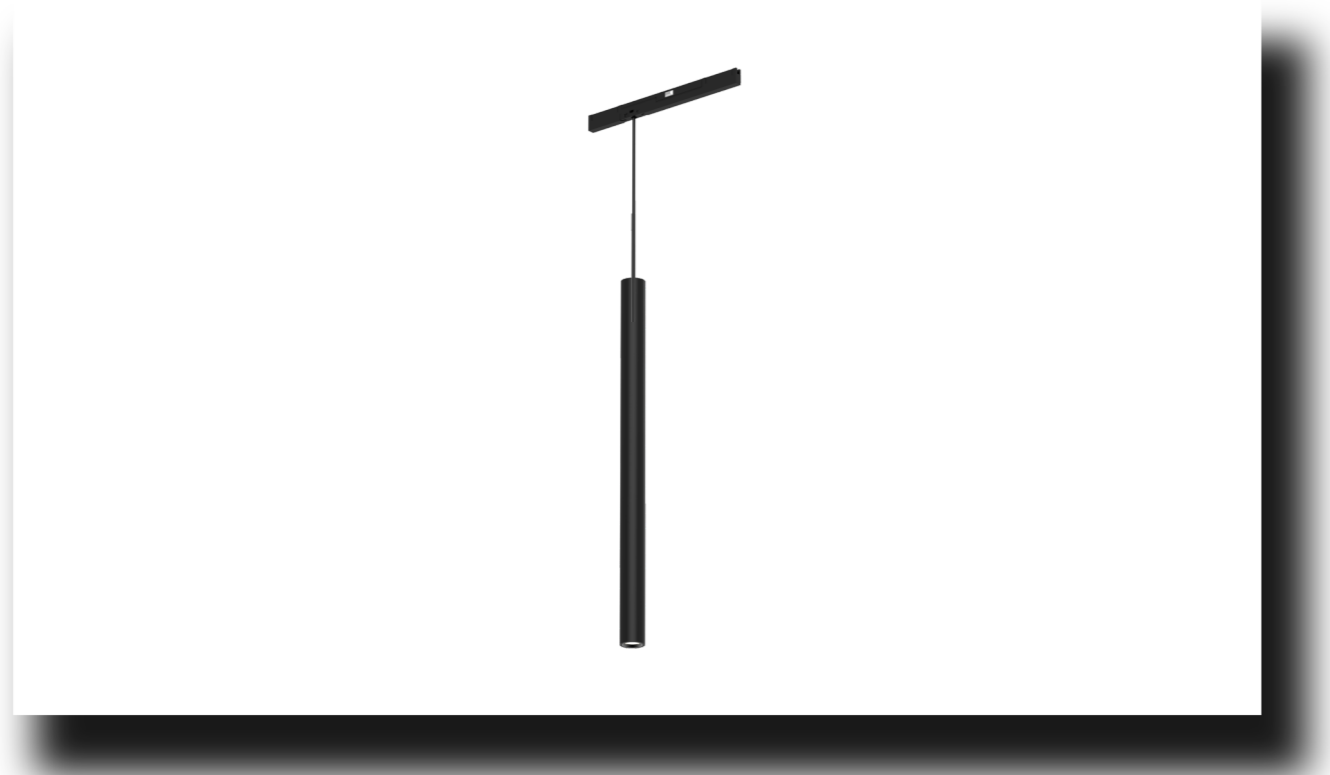




Product Code	Watt	>CRI	Voltage	Product Size	Finish	CCT	System Options
SPS-PLA250	2W	Ra90	48V	Φ 15.2x250x126	<input checked="" type="checkbox"/> BK <input type="checkbox"/> WH	2700K 3000K 4000K 5000K	0-10V TUYA DALI

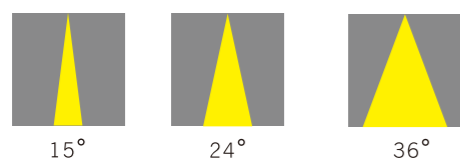
Beam angle

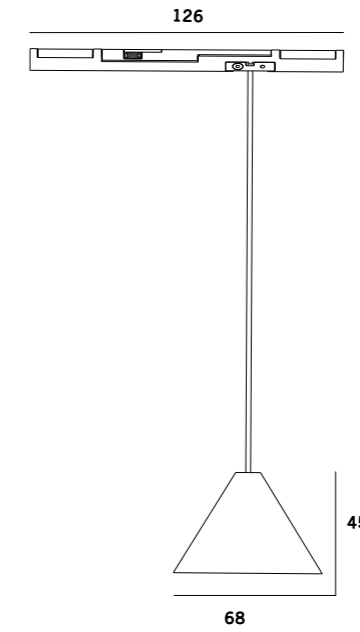




Product Code	Watt	>CRI	Voltage	Product Size	Finish	CCT	System Options
SPS-PLA300	2W	Ra90	48V	Φ 15.2x300x126	<input checked="" type="checkbox"/> BK <input type="checkbox"/> WH	2700K 3000K 4000K 5000K	0-10V TUYA DALI

Beam angle



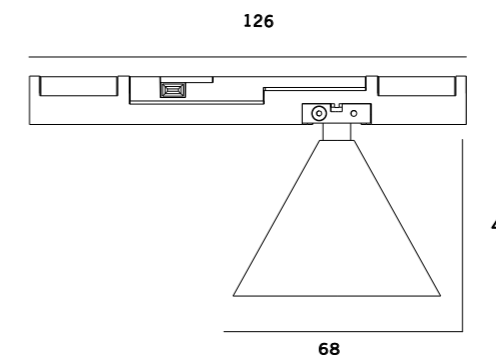


Product Code	Watt	>CRI	Voltage	Product Size	Finish	CCT	System Options
SPS-CL-A	4W	Ra90	48V	Φ 68x45x126	<ul style="list-style-type: none"> ■ BK □ WH 	<ul style="list-style-type: none"> 2700K 3000K 4000K 5000K 	<ul style="list-style-type: none"> 0-10V TUYA DALI

Beam angle



50°

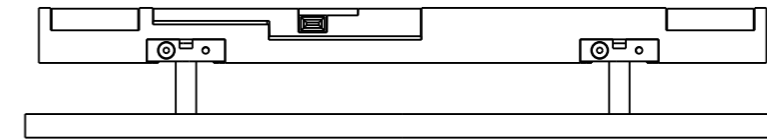


Product Code	Watt	>CRI	Voltage	Product Size	Finish	CCT	System Options
SPS-CL-B	4W	Ra90	48V	Φ 68x45x126	<ul style="list-style-type: none"> ■ BK □ WH 	<ul style="list-style-type: none"> 2700K 3000K 4000K 5000K 	<ul style="list-style-type: none"> 0-10V TUYA DALI

Beam angle

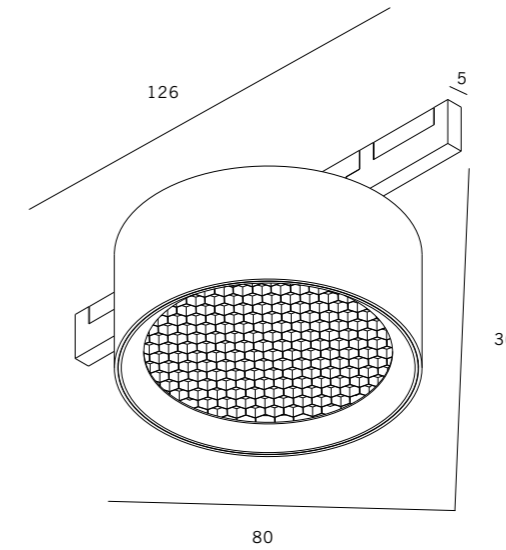


50°



192

Product Code	Watt	>CRI	Voltage	Product Size	Finish	CCT	System Options
SPS-LP200	10W	Ra90	48V	Φ 192	<ul style="list-style-type: none"> ■ BK □ WH 	<ul style="list-style-type: none"> 2700K 3000K 4000K 5000K 	<ul style="list-style-type: none"> 0-10V TUYA DALI



Product Code

Watt

>CRI

Voltage

Product Size

Finish

CCT

System Options

SPS-SDL10

10W

Ra90

48V

Φ 80x36*126

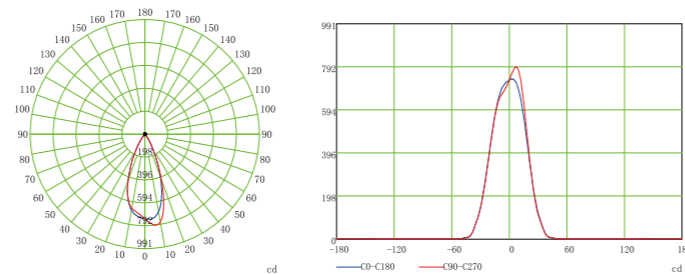
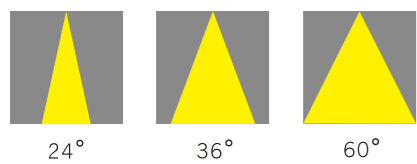
- BK
- WH

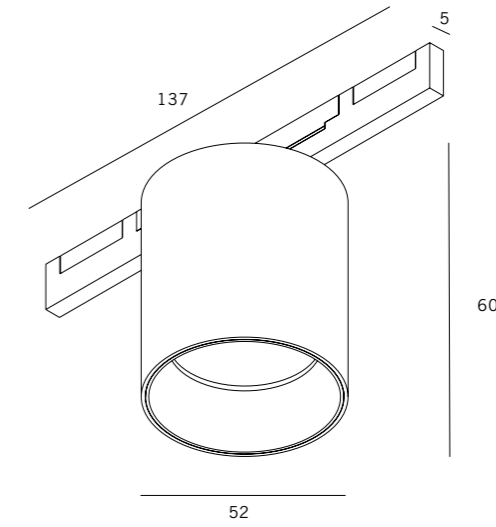
- 2700K
- 3000K
- 4000K
- 5000K

- O-10V
- TUYA
- DALI

Beam angle

Light distribution curve





Product Code

Watt

>CRI

Voltage

Product Size

Finish

CCT

System Options

SPS-SDH10

10W

Ra90

48V

Φ 52x60*137

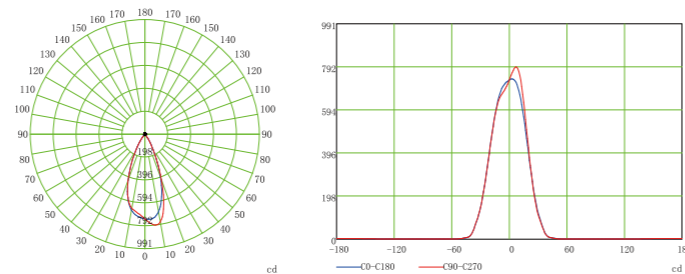
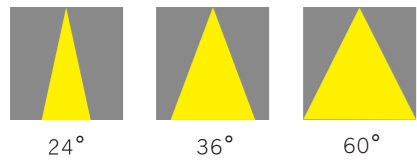
- BK
- WH

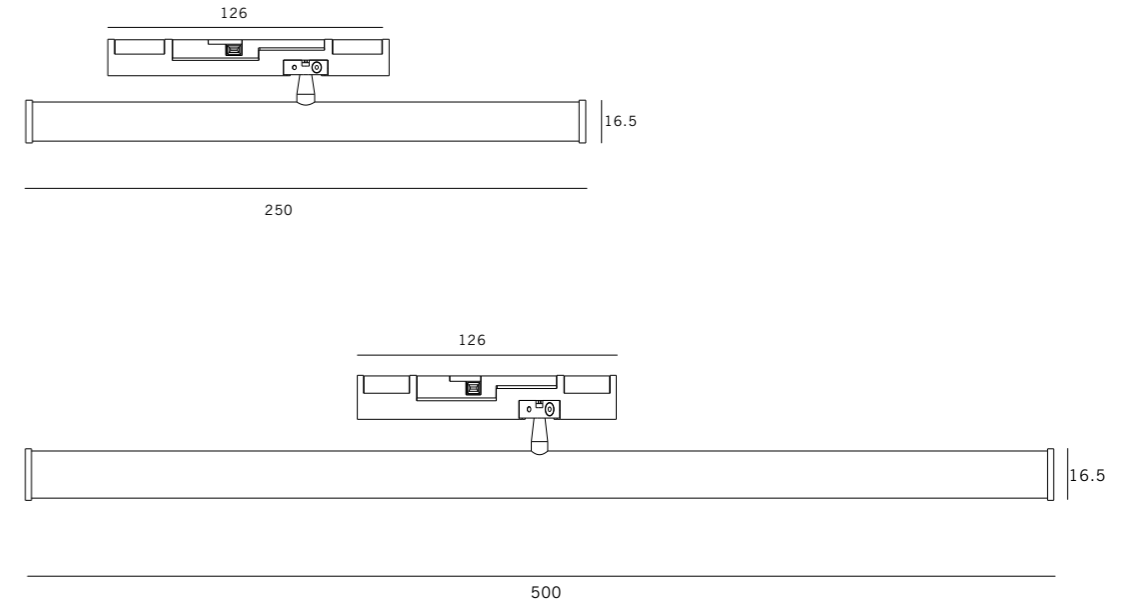
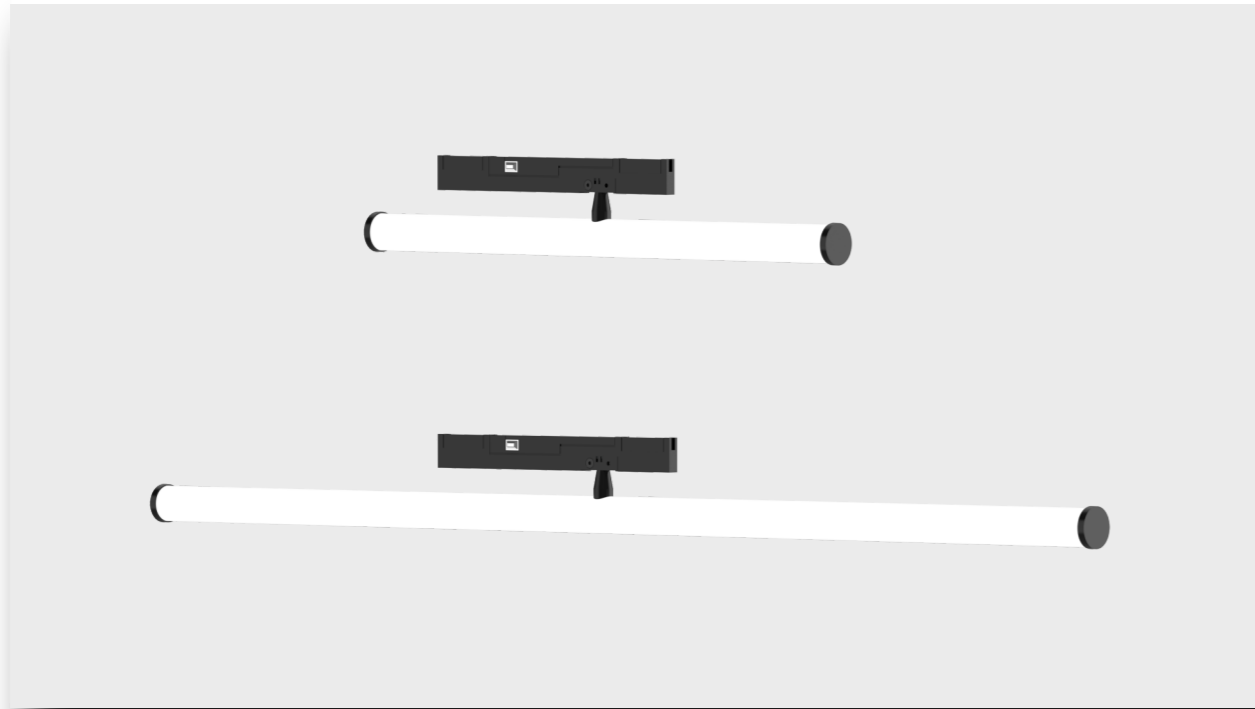
- 2700K
- 3000K
- 4000K
- 5000K

- O-10V
- TUYA
- DALI

Beam angle

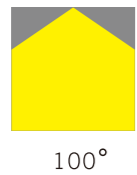
Light distribution curve

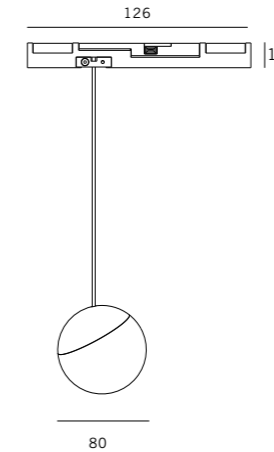
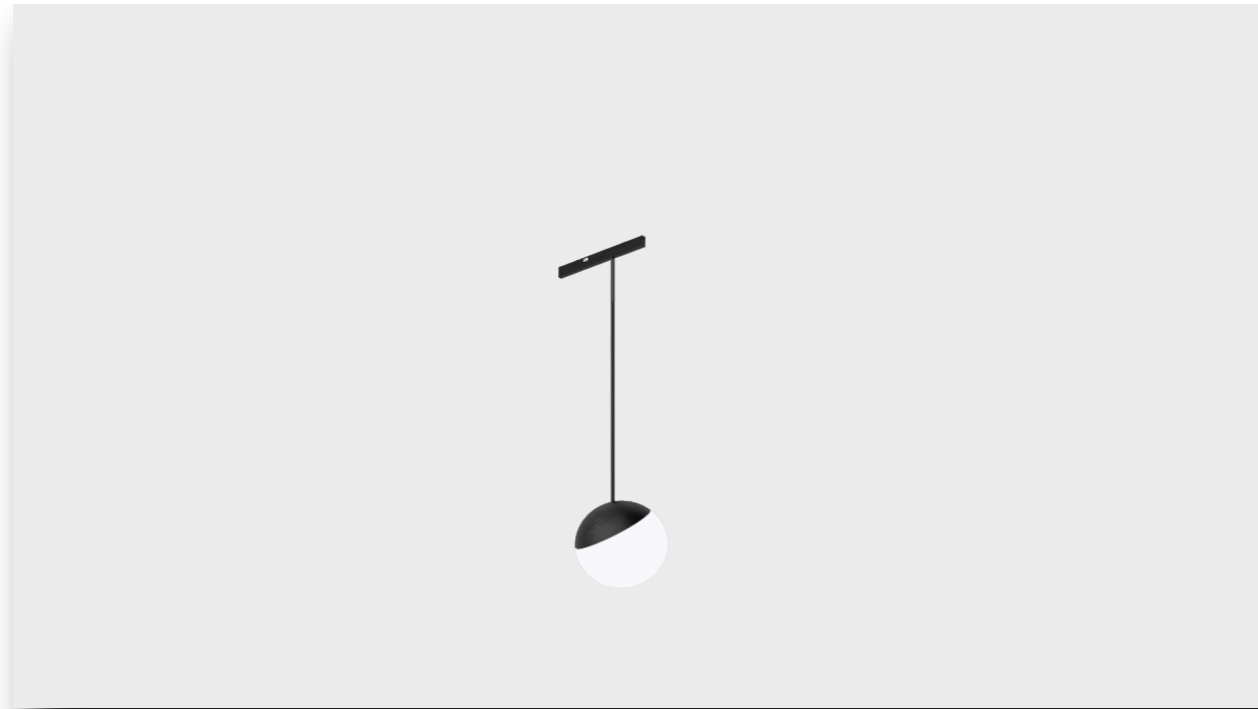




Product Code	Watt	>CRI	Voltage	Product Size	Finish	CCT	System Options
SPS-TB300	5W	Ra90	48V	Φ 16.5x250*126	■ BK	2700K	0-10V
SPS-TB500	10W	Ra90	48V	Φ 16.5x500*126	□ WH	3000K	TUYA
						4000K	DALI
						5000K	

Beam angle



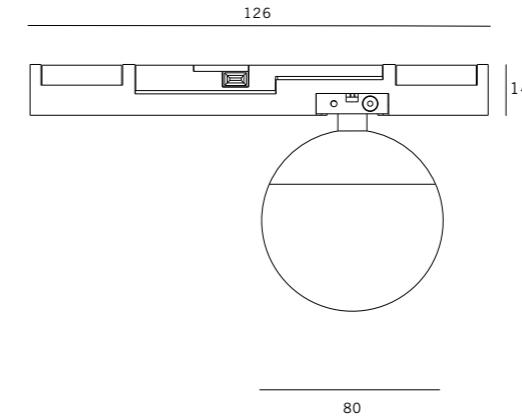
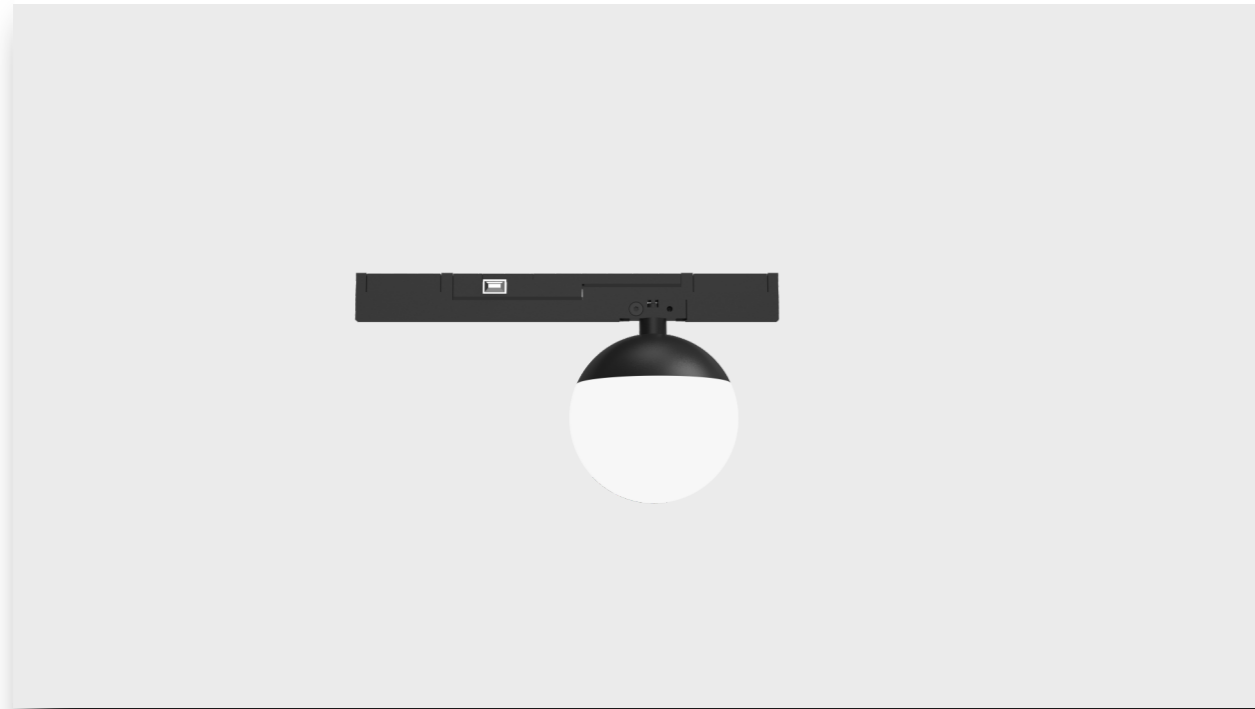


Product Code	Watt	>CRI	Voltage	Product Size	Finish	CCT	System Options
SPS-BP-2	7W	Ra90	48V	Φ 80x14X126	<ul style="list-style-type: none"> ■ BK □ WH 	<ul style="list-style-type: none"> 2700K 3000K 4000K 5000K 	<ul style="list-style-type: none"> 0-10V TUYA DALI

Beam angle



100°

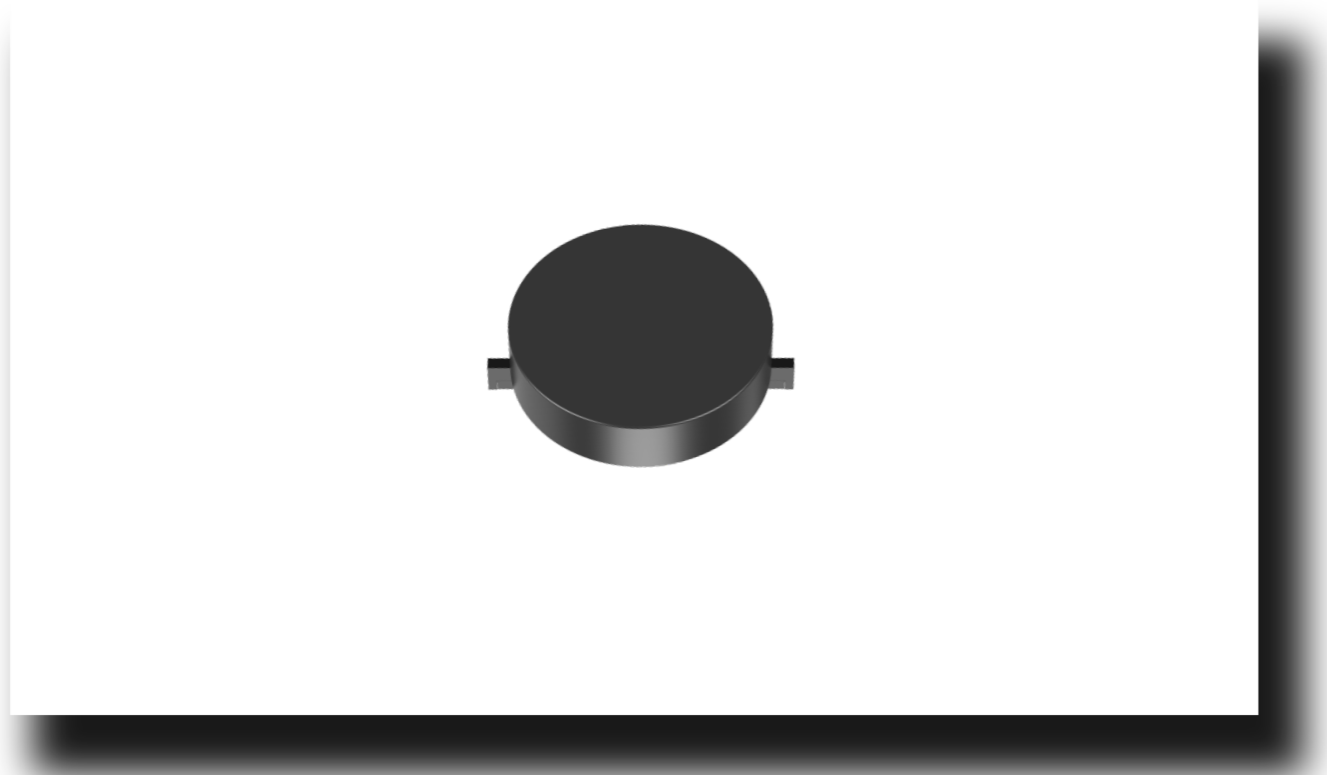


Product Code	Watt	>CRI	Voltage	Product Size	Finish	CCT	System Options
SPS-BP	7W	Ra90	48V	Φ 80x14X126	<ul style="list-style-type: none"> ■ BK □ WH 	<ul style="list-style-type: none"> 2700K 3000K 4000K 5000K 	<ul style="list-style-type: none"> 0-10V TUYA DALI

Beam angle

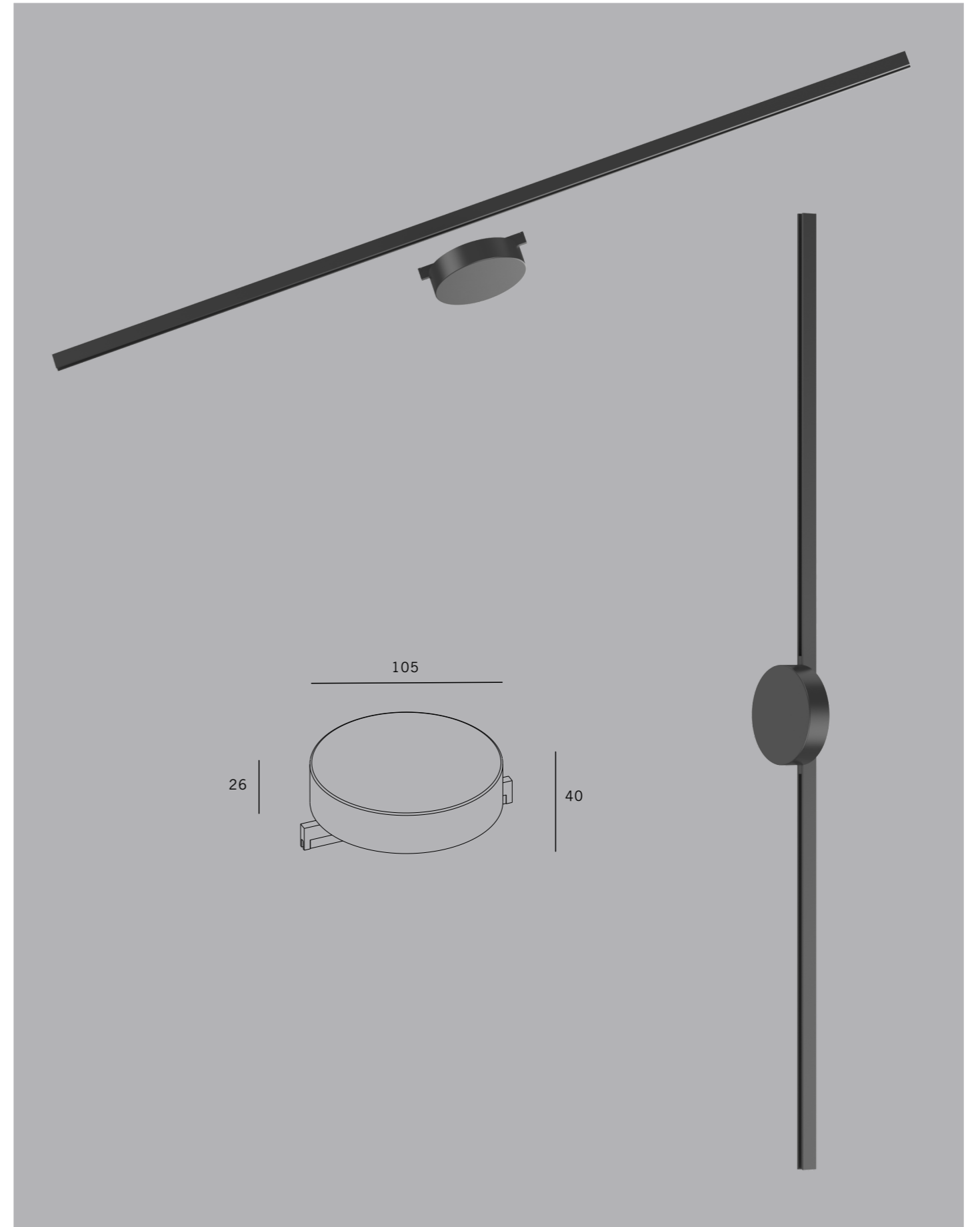


100°

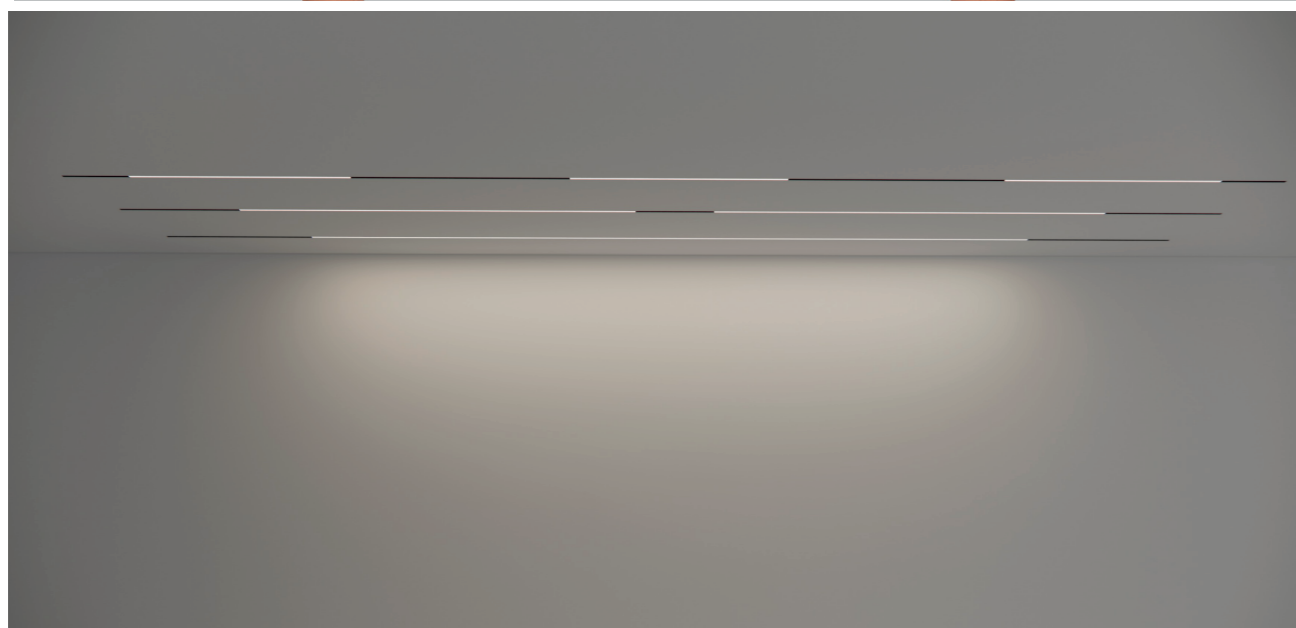
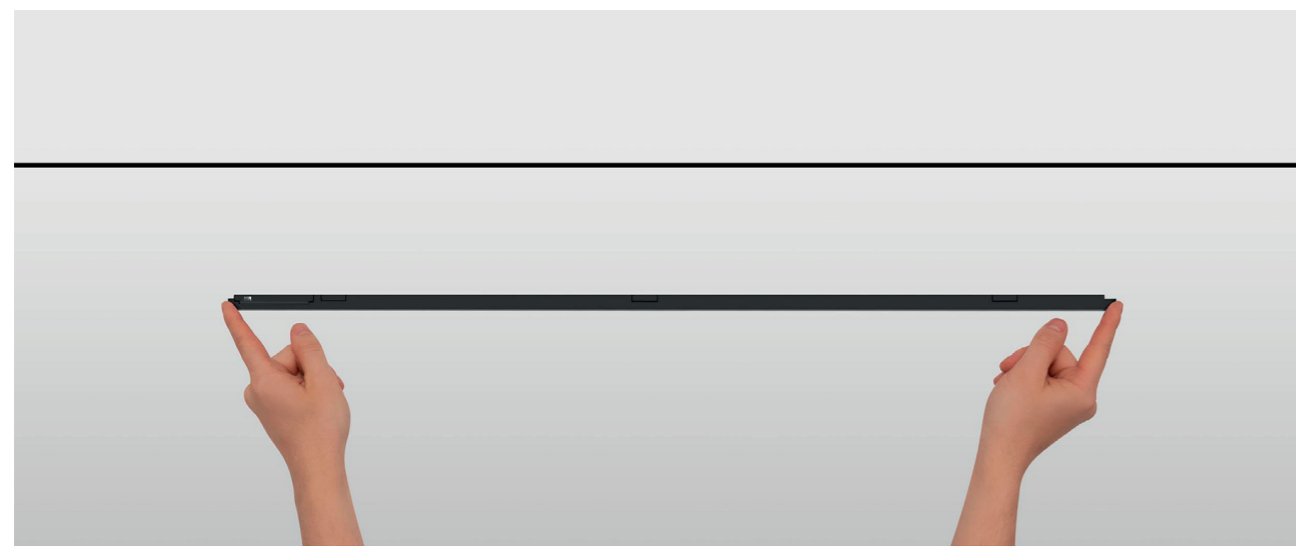
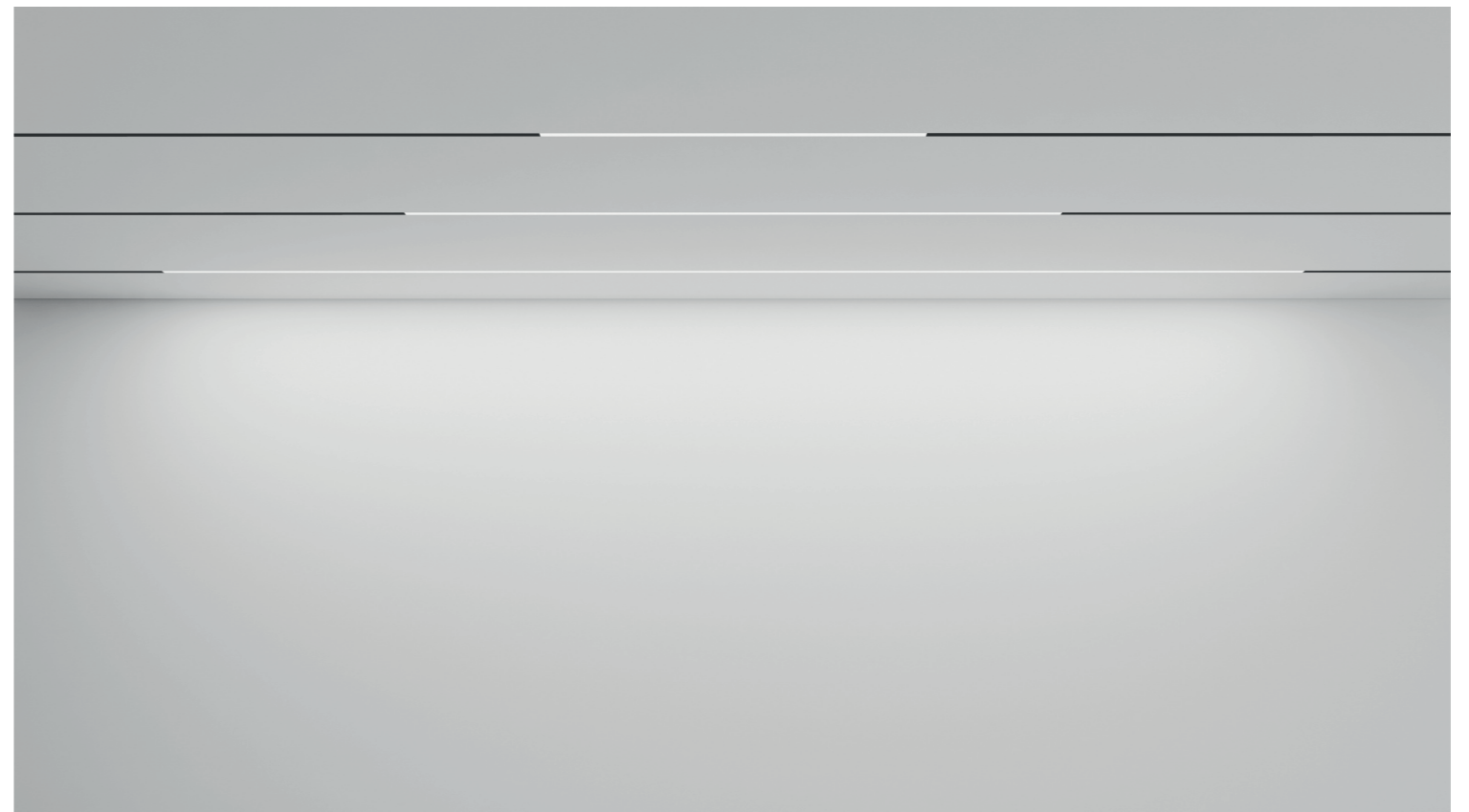


48V POWER SUPPLY

<u>Product Code</u>	<u>Watt</u>	<u>Finish</u>	<u>warranties</u>
inner driver	100W	■ BK □ WH	3 YEARS
outer driver	200W	■ BK □ WH	3 YEARS



UNISER



UNISER

Uniser Industries Pvt. Ltd.

HO: 414, Lotus House, New Marine Lines,
Mumbai 400020, India

☎ +91-22-35114465 | +91-22-22000515

☎ +91-9867625686

✉ projects@uniserledlights.com

🌐 www.uniserledlights.com

