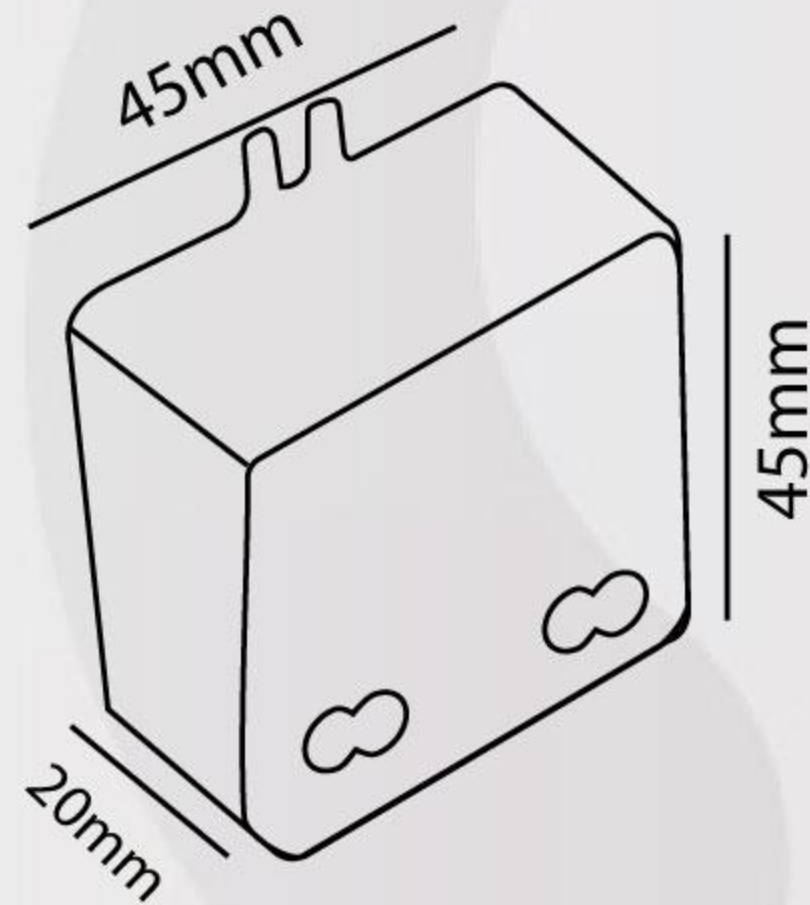


# UNISER

## SMART DRIVERS AND CONTROLLER



### PRODUCT SPECIFICATIONS

**Product Type :** Zigbee On/ Off Controller

**Product Name :** On/Off Controller

**Product Code :** UHLF-ON/OFF-CONTROLLER

**Wattage :** 200W (LED) 400W BULB

**Input Voltage :** 90-265V

**Output Voltage :** 220V

**Power Factor :** 0.9 PF

**Signal Distance :** 30M

**Material :** PVC

**Power Consumption :** <math>< 0.5w</math>

**Protocol :** 2.4G / Bluetooth + 2.4G/ Zigbee

**Surge Protection :** 1.5kV built-in

