



Bottom Maintenance Light Design

Thoughtful Light Engineering

Recessed | Trimless

MR16 Module

Fixed | Adjustable
module holder

Honeycomb | Lens filter
| IP44 filter

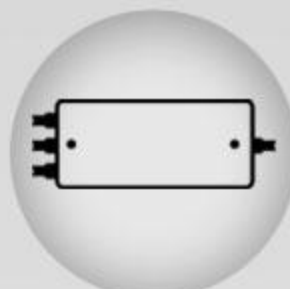
Colorful inner ring



Protects Ceiling
from Cracks
& Stains



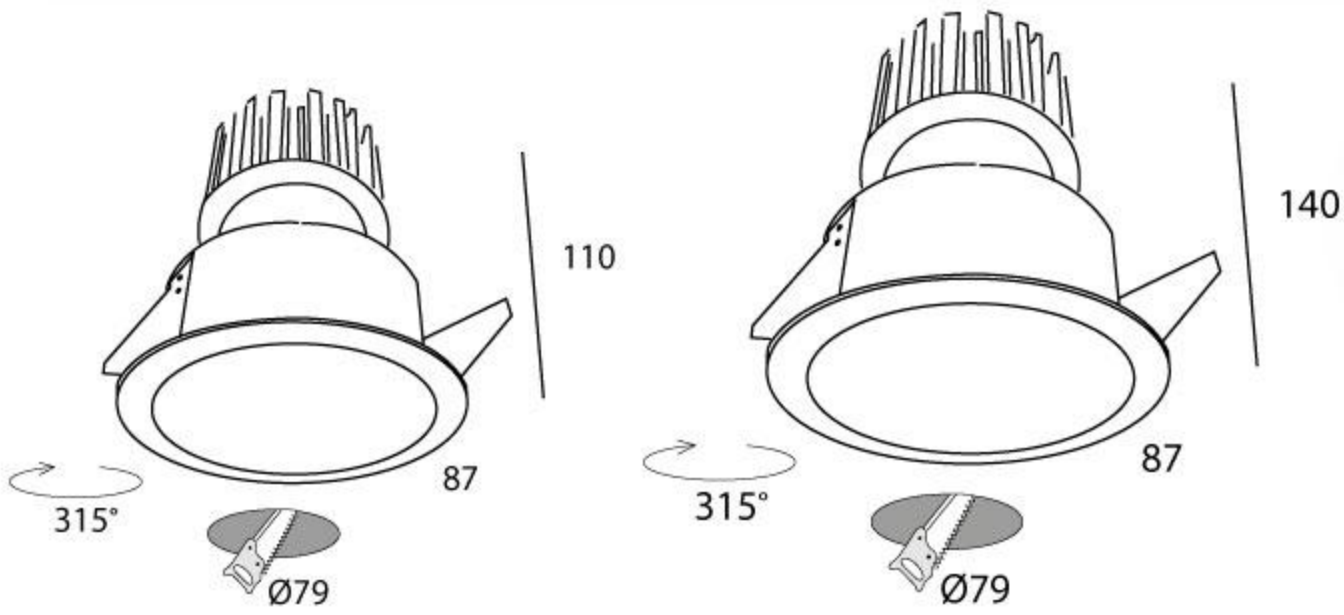
Change/maintain LED
without removing
entire fixture



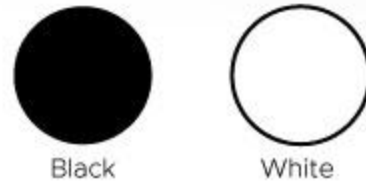
Change/maintain DRIVER
without removing
entire fixture

+91-22-35114465 | +91-22-22000515 +91-9867625686
projects@uniserledlights.com www.uniserledlights.com





Body Finish



Black

White

Reflector Finish



Black

White

Gun metal

Rose Gold

Champagne Gold

Matt Black

Matt White

Matt Silver

Flexi Delta Series - Recessed Downlight

Description : Recessed Fixed Downlight / Adjustable Downlight

Product Code : UNI-FD-06/09/12/18

Additional Features : Oval Cut & Pin Spot available

Wattages : 6W / 9W / 12W / 18W

Beam Angle : 15D / 24D / 38D

CCT : 2700K / 3000K / 4000K / 5000K / 5700K

CRI : 80 / 90 (as required)

THD : <15

Material : Alu Housing , PC Reflector

Lumens : 110lm / W

Tiltable Angle : 30D

Life Expectancy : 50000 Burning Hrs

IP : 20

Control : Non Dimmable | Phase-cut | Analog | Dali | CCT tunable

Power : 220-240V, 50 / 60Hz

Maintenance : Bottom Maintenance. The Light engine with driver can be serviced from the bottom , without hampering the ceiling

Flexi Delta Series - Recessed Wallwasher

Description : Recessed WallWasher

Product Code : UNI-FD-WW-06/09/12

Finish : Housing- Black / White

Reflector : Asymmetric

Additional Features : Oval Cut & Pin Spot available

Wattages : 6W / 9W / 12W

Beam Angle : 15D / 24D / 38D

CCT : 2700K / 3000K / 4000K / 5000K / 5700K

Light Distribution : Asymmetric (no scallops)

CRI : 80 / 90 (as required)

THD : <15

Material : Alu Housing , PC Reflector

Lumens : 110lm/W

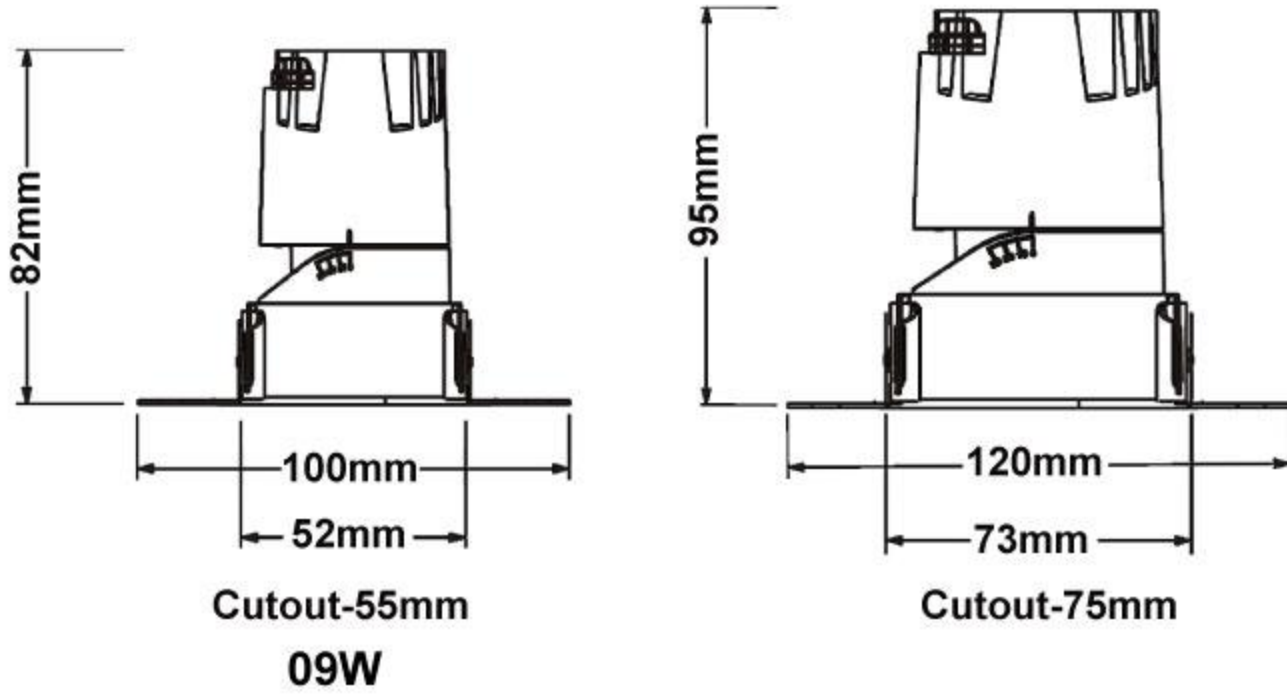
Life Expectancy : 50000 Burning Hrs

IP : 20

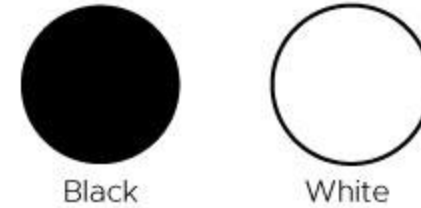
Control : Non Dimmable | Phase-cut | Analog | Dali | CCT tunable

Power : 220-240V, 50 / 60Hz

Maintenance : Bottom Maintenance. The Light engine with driver can be serviced from the bottom , without hampering the ceiling



Body Finish



Reflector Finish



FLEXI DELTA PRO SERIES - TRIMLESS DOWNLIGHT

Description : Trimless Fixed Downlight / Adjustable Downlight

Product Code : UHLS-FDP-TL-09/16

Additional Features : Oval Cut & Pin Spot Wallwasher available

Wattages : 9W / 16W

Beam Angle : 12D / 24D / 38D / 60D

CCT : 2700K / 3000K / 4000K / 5000K / 5700K

CRI : 80 / 90 (as required)

THD : <15

Material : Aluminum

Lumens : 110lm / W

Tiltable Angle : 30D

Life Expectancy : 50000 Burning Hrs

IP : 20

Control : Non Dimmable | Phase-cut | Analog | Dali | CCT tunable

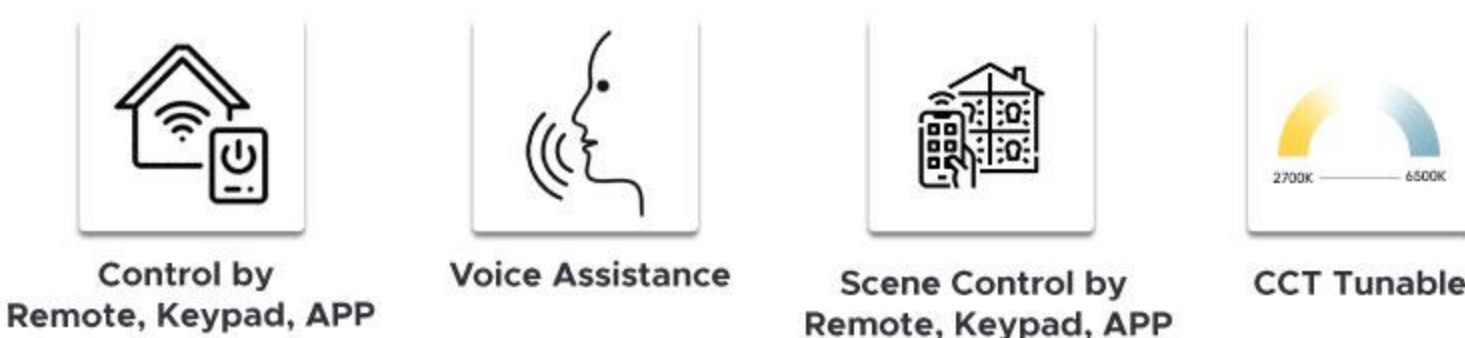
Power : 220-240V, 50 / 60Hz

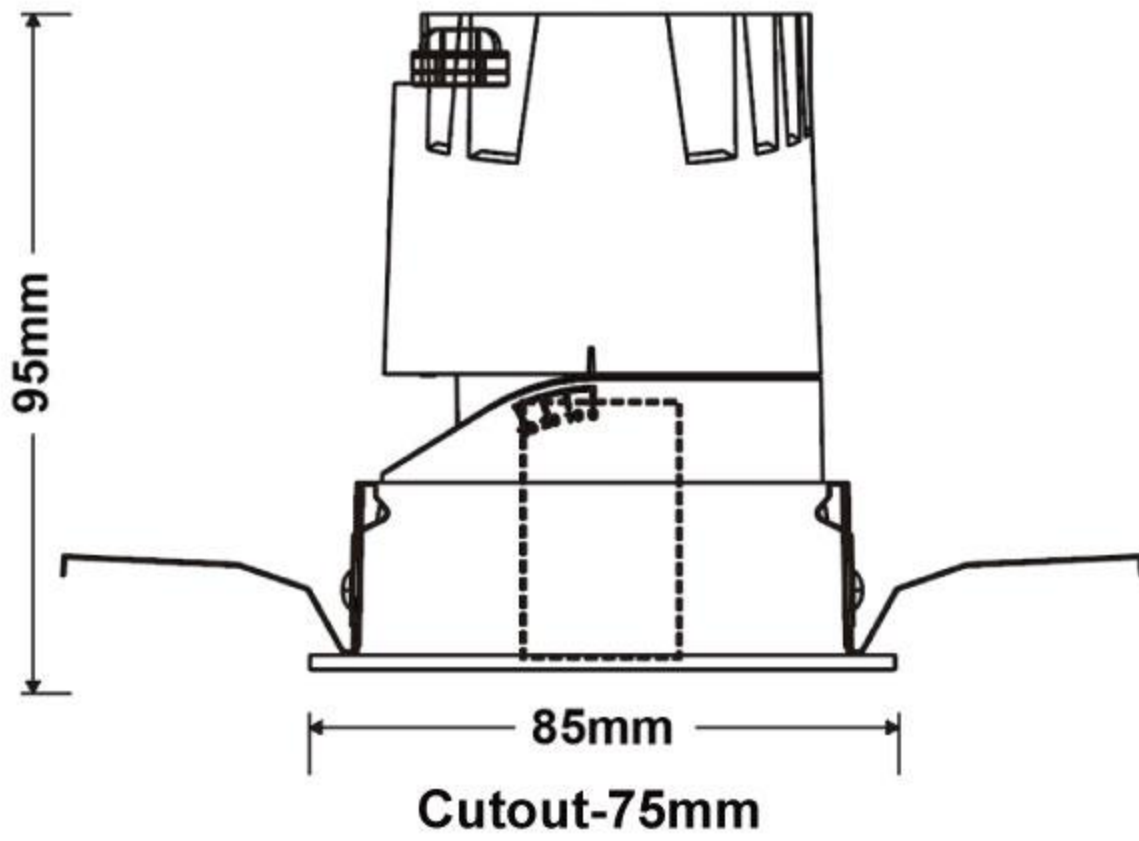
Maintenance : Bottom Maintenance. The Light engine with driver can be serviced from the bottom, without hampering the ceiling

DRIVER OPTIONS

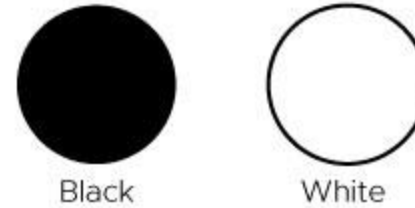


SPECIAL ADDITIONAL FEATURES





Body Finish



Reflector Finish



FLEXI DELTA PRO SERIES - WALLWASHER

Description : Asymmetric Wallwasher

Product Code : UHLS-FDP-WW-16

Additional Features : Scallup- Free Wallwasher

Wattages : 16W

Beam Angle : 12D / 24D / 38D / 60D

CCT : 3000K to 6000K

CRI : 80 / 90 (as required)

THD : <15

Material : Aluminum

Lumens : 110lm / W

Tiltable Angle : 30D

Life Expectancy : 50000 Burning Hrs

IP : 20

Control : Non Dimmable | Phase-cut | Analog | Dali | CCT tunable

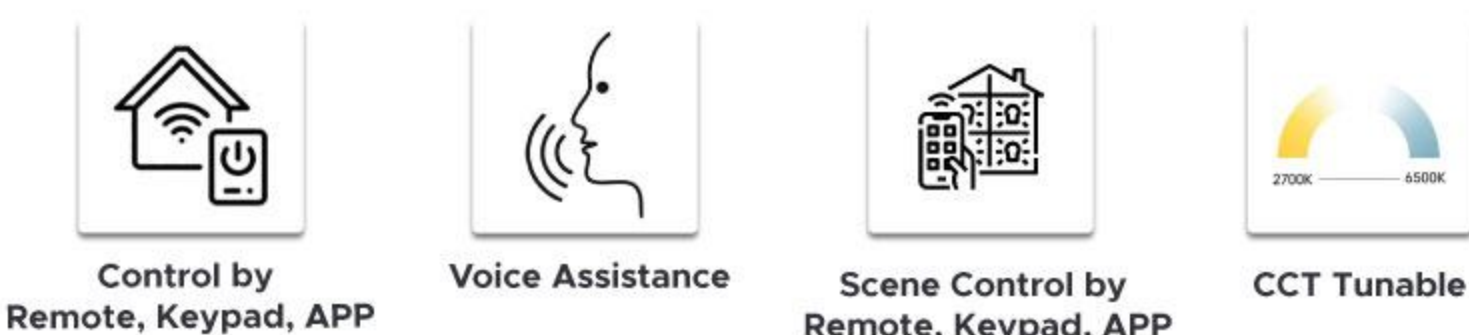
Power : 220-240V, 50 / 60Hz

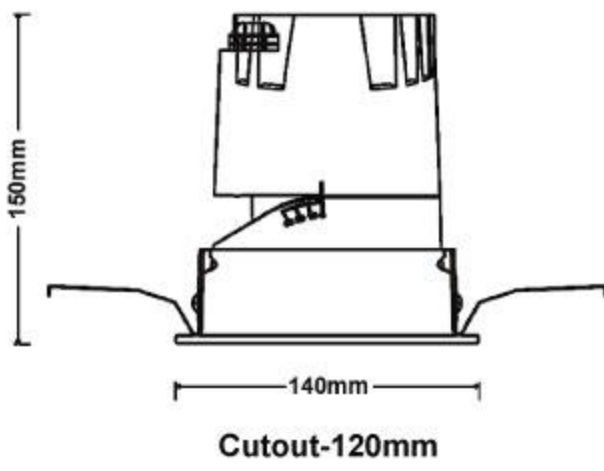
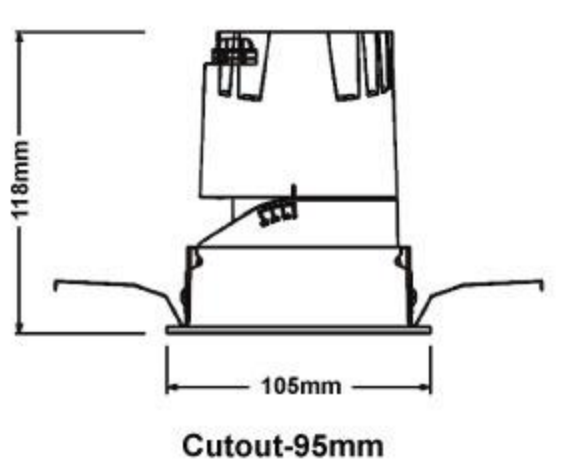
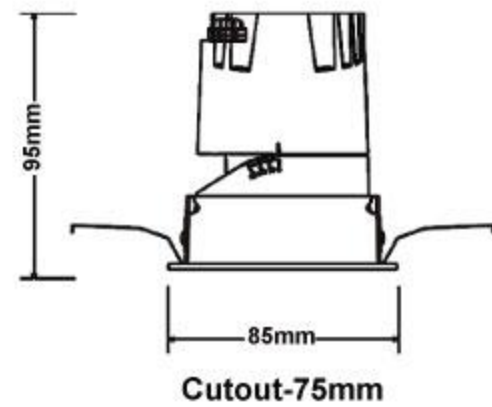
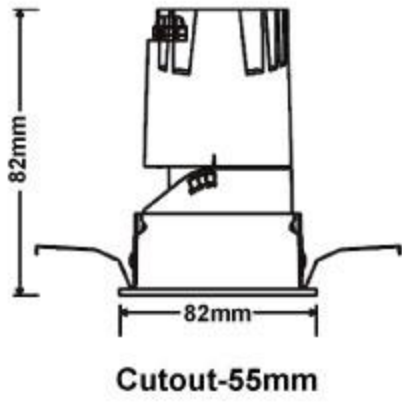
Maintenance : Bottom Maintenance. The Light engine with driver can be serviced from the bottom , without hampering the ceiling

DRIVER OPTIONS



SPECIAL ADDITIONAL FEATURES

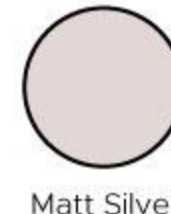




Body Finish



Reflector Finish



Flexi Delta Pro Series - Recessed Downlight

Description : Recessed Fixed Downlight / Adjustable Downlight

Product Code : UHLS-FDP-09/16/24/35

Additional Features : Oval Cut & Pin Spot available

Wattages : 9W / 16W / 24W / 35W

Beam Angle : 12D / 24D / 38D / 60D

CCT : 2700K / 3000K / 4000K / 5000K / 5700K

CRI : 80 / 90 (as required)

THD : <15

Material : Aluminum

Lumens : 110lm / W

Tiltable Angle : 30D

Life Expectancy : 50000 Burning Hrs

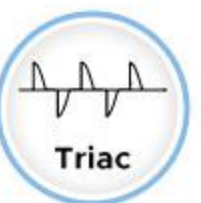
IP : 20

Control : Non Dimmable | Phase-cut | Analog | Dali | CCT tunable

Power : 220-240V, 50 / 60Hz

Maintenance : Bottom Maintenance. The Light engine with driver can be serviced from the bottom , without hampering the ceiling

DRIVER OPTIONS



SPECIAL ADDITIONAL FEATURES



Control by Remote, Keypad, APP



Voice Assistance



Scene Control by Remote, Keypad, APP



CCT Tunable

THINK LED, THINK UNISER

UNISER


INDUSTRIES PVT. LTD.


Solar Power | LED Lighting | Automation

To place your order, please contact us

HELPDESK DETAILS:

414, Lotus House, 33-A, V Thackersey Marg, New Marine Lines,
Mumbai-400020, India

+91-22-22000515 | 35114465  +91 9867625686

 projects@uniserledlights.com | support@uniserledlights.com