

UNISER



A PERFECTLY CURATED SELECTION : ✨
CONCEALED RECESSED COB DOWNLIGHTS

- **PROJEKT SERIES**
- **HOTELUXE SERIES**
- **PRO PLUS SERIES**
- **FLEXI DELTA SERIES**

RESIDENTIAL &
COMMERCIAL BUILDING



HOTELS & HOSPITALITY
INFRASTRUCTURE

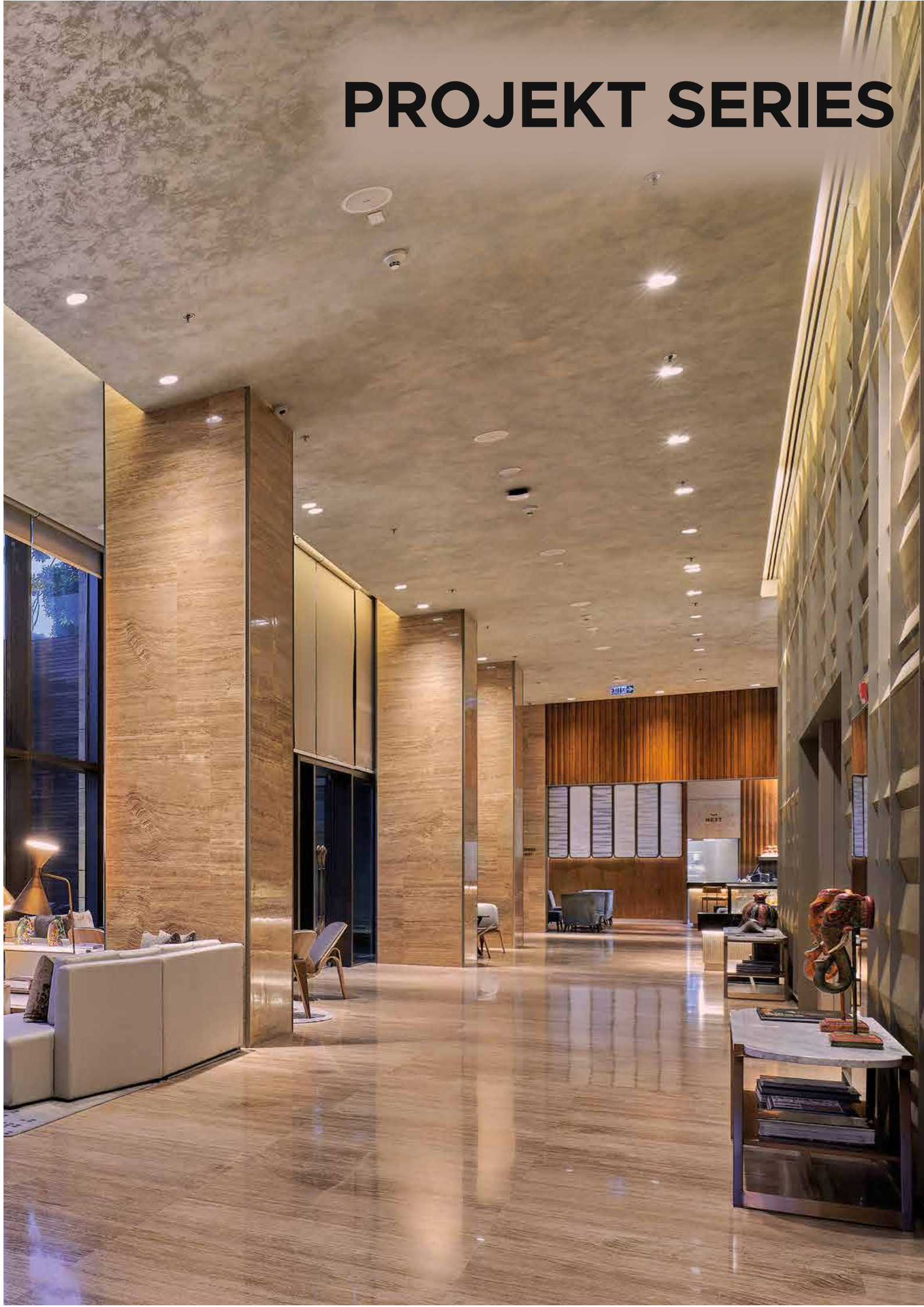


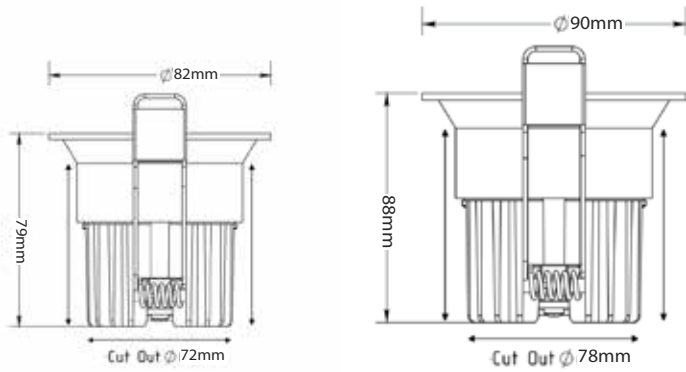
MULTIPLEXES, RETAIL
BRAND SHOWROOMS



PREMIUM SPACES

PROJEKT SERIES





PRODUCT SPECIFICATIONS

Product Type : Recessed COB Downlights

Inner Color : White / Black

Product Name : Projekt Series. Ideally suited for large scale Infrastructure

CRI : 80

Product Code : UCALY-PROJEKT-12-18

THD : <15

Wattage : 12W / 18W

Operating Temperature : -10°C to +60°C

CCT : 3000K / 4000K / 6000K

Material : Aluminium

Outer Body Color : White / Black

Beam Angle : 40°

Input Voltage : 185-265V

LED : CREE / Bridgelux

Lumens : 110 lumens / W

IP Rating: IP20

DRIVER OPTIONS

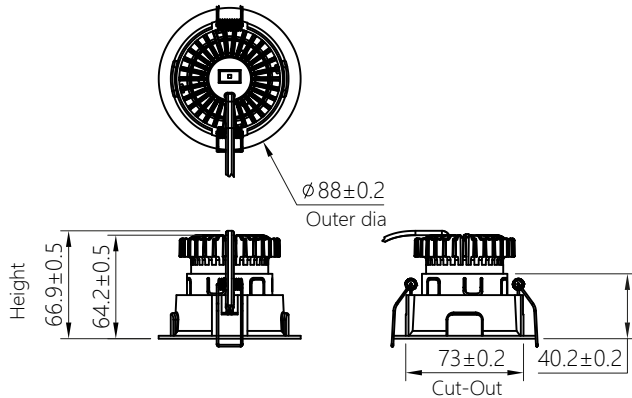


SPECIAL ADDITIONAL FEATURES

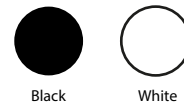


HOTELUXE SERIES

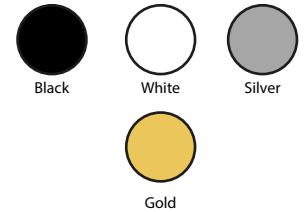




Body Finish



Reflector Finish



HOTELUXE SERIES

Description : Recessed Fixed Downlight with Bottom Maintenance

Lumens : 110lm / W

Product Code : UCSN-HOTELUXE-6-9-12

Angle: Fixed Downlight

Wattage : 6W / 9W / 12W

Life Expectancy : 50,000 Burning Hrs

Beam Angle : 40°

IP : 20 / 44* (*for steamproof fitting)

CCT : 2700K / 3000K / 4000K / 5000K / 6000K

Control : Non Dimmable | Phase-cut | Analog | Dail |

CRI : 80 / 90(as required)

CCT tunable (with external driver)

THD : <15

Power : 220-240V, 50 / 60Hz

Material : Aluminium + Reflector

Maintenance : Bottom Maintenance, the light engine and driver can be serviced from the bottom, without hampering the ceiling

HOTELUXE SERIES ACCESSORIES

- * HONEY- COMB FILTER
- * REFLECTOR COLOR OPTIONS
- * STEAMPROOF SHIELD

IDEALLY SUITED & EXCLUSIVELY CREATED FOR HOTELS & HOSPITALITY INDUSTRY

DRIVER OPTIONS

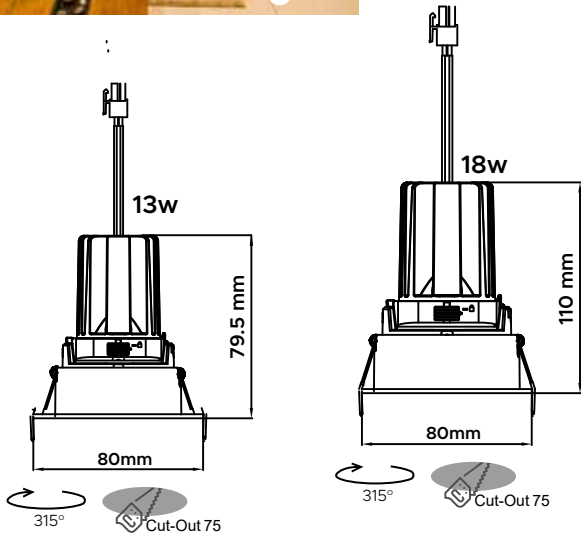


SPECIAL ADDITIONAL FEATURES

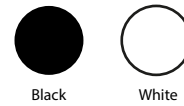


PRO PLUS SERIES

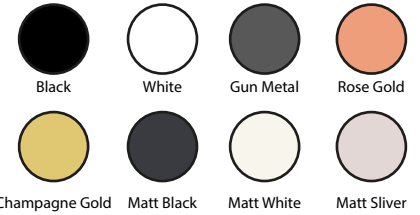




Body Finish



Reflector Finish



D75 PRO PLUS

Description : Recessed fixed Downlight / Adjustable Downlight

Product Code : UCSN-CMD01-75

Wattage : 13W / 18W

Beam Angle : 15 / 38°

CCT : 2700K / 3000K / 4000K / 5000K / 6000K

CRI : 80 / 90(as required)

THD : <15

Material : Aluminium + Reflector

Lumens : 110lm / W

Tiltable Angle : 30D with Tickclock™

Life Expectancy : 50,000 Burning Hrs

IP : 20 / 44* (*for steamproof fitting)

Control : Non Dimmable | Phase-cut | Analog | Dail |

CCT tunable (with external driver)

Power : 220-240V, 50 / 60Hz

Maintenance : Bottom Maintenance, the light engine and driver can be serviced from the bottom, without hampering the ceiling

D75 PRO PLUS ACCESSORIES

- * HONEY- COMB FILTER
- * REFLECTOR COLOR OPTIONS
- * OVAL CUT FIXTURE ACCESSORY
- * PIN HOLE FIXTURE ACCESSORY
- * STEAMPROOF SHIELD
- * TRIMLESS OUTER HOUSING

DRIVER OPTIONS

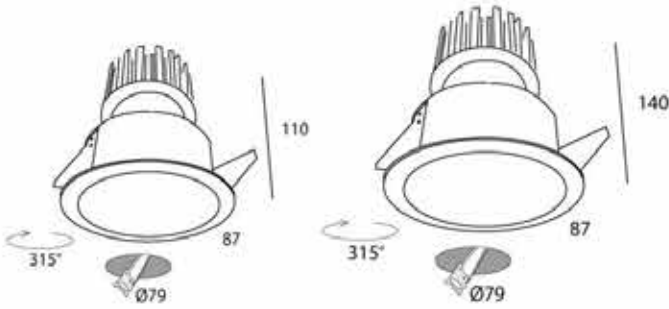


SPECIAL ADDITIONAL FEATURES



FLEXI DELTA SERIES





Body Finish



Reflector Finish



Flexi Delta Series - Recessed Downlight

Description : Recessed Fixed Downlight / Adjustable Downlight

Product Code : UNI-FD-06/09/12/18

Additional Features : Oval Cut & Pin Spot available

Wattages : 6W / 9W / 12W / 18W

Beam Angle : 15D / 24D / 38D

CCT : 2700K / 3000K / 4000K / 5000K / 5700K

CRI : 80 / 90 (as required)

THD : <15

Material : Alu Housing , PC Reflector

Lumens : 110lm / W

Tilttable Angle : 30D

Life Expectancy : 50000 Burning Hrs

IP : 20

Control : Non Dimmable | Phase-cut | Analog | Dali | CCT tunable

Power : 220-240V, 50 / 60Hz

Maintenance : Bottom Maintenance. The Light engine with driver can be serviced from the bottom , without hampering the ceiling

Flexi Delta Series - Recessed Wallwasher

Description : Recessed WallWasher

Product Code : UNI-FD-WW-06/09/12

Finish : Housing- Black / White

Reflector : Asymmetric

Additional Features : Oval Cut & Pin Spot available

Wattages : 6W / 9W / 12W

Beam Angle : 15D / 24D / 38D

CCT : 2700K / 3000K / 4000K / 5000K / 5700K

Light Distribution : Asymmetric (no scallops)

CRI : 80 / 90 (as required)

THD : <15

Material : Alu Housing , PC Reflector

Lumens : 110lm/W

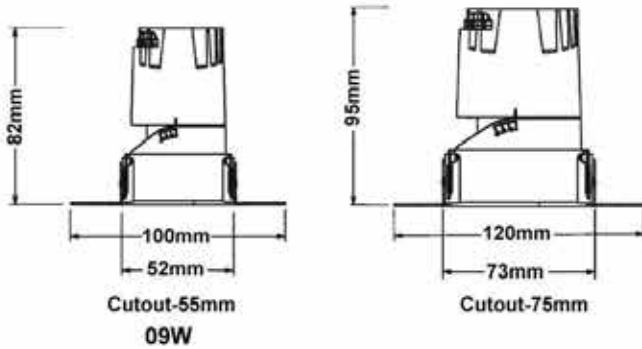
Life Expectancy : 50000 Burning Hrs

IP : 20

Control : Non Dimmable | Phase-cut | Analog | Dali | CCT tunable

Power : 220-240V, 50 / 60Hz

Maintenance : Bottom Maintenance. The Light engine with driver can be serviced from the bottom , without hampering the ceiling



Body Finish



Reflector Finish



FLEXI DELTA PRO SERIES - TRIMLESS DOWNLIGHT

Description : Trimless Fixed Downlight / Adjustable Downlight

Product Code : UHLS-FDP-TL-09/16

Additional Features : Oval Cut & Pin Spot Wallwasher available

Wattages : 9W / 16W

Beam Angle : 12D / 24D / 38D / 60D

CCT : 2700K / 3000K / 4000K / 5000K / 5700K

CRI : 80 / 90 (as required)

THD : <15

Material : Aluminum

Lumens : 110lm / W

Tiltable Angle : 30D

Life Expectancy : 50000 Burning Hrs

IP : 20

Control : Non Dimmable | Phase-cut | Analog | Dali | CCT tunable

Power : 220-240V, 50 / 60Hz

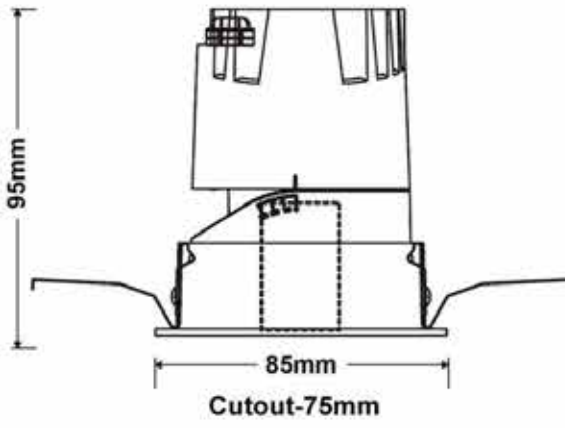
Maintenance : Bottom Maintenance. The Light engine with driver can be serviced from the bottom, without hampering the ceiling

DRIVER OPTIONS



SPECIAL ADDITIONAL FEATURES





Body Finish



Reflector Finish



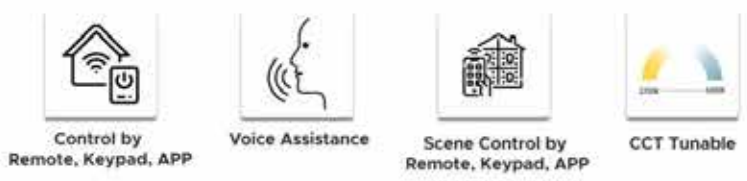
FLEXI DELTA PRO SERIES - WALLWASHER

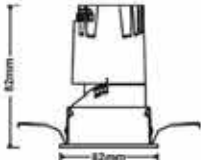
Description : Asymmetric Wallwasher	Material : Aluminum
Product Code : UHLS-FDP-WW-16	Lumens : 110lm / W
Additional Features : Scallup- Free Wallwasher	Tilttable Angle : 30D
Wattages : 16W	Life Expectancy : 50000 Burning Hrs
Beam Angle : 12D / 24D / 38D / 60D	IP : 20
CCT : 3000K to 6000K	Control : Non Dimmable Phase-cut Analog Dali CCT tunable
CRI : 80 / 90 (as required)	Power : 220-240V, 50 / 60Hz
THD : <15	Maintenance : Bottom Maintenance. The Light engine with driver can be serviced from the bottom , without hampering the ceiling

DRIVER OPTIONS

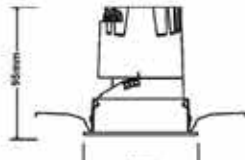


SPECIAL ADDITIONAL FEATURES

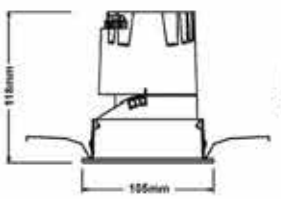




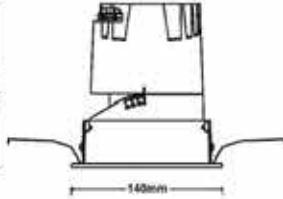
Cutout-55mm



Cutout-75mm



Cutout-95mm



Cutout-120mm



Body Finish



Black



White

Reflector Finish



Black



White



Gun metal



Rose Gold



Champagne Gold



Matt Black



Matt White



Matt Silver

Flexi Delta Pro Series - Recessed Downlight

Description : Recessed Fixed Downlight / Adjustable Downlight

Product Code : UHLS-FDP-09/16/24/35

Additional Features : Oval Cut & Pin Spot available

Wattages : 9W / 16W / 24W / 35W

Beam Angle : 12D / 24D / 38D / 60D

CCT : 2700K / 3000K / 4000K / 5000K / 5700K

CRI : 80 / 90 (as required)

THD : <15

Material : Aluminum

Lumens : 110lm / W

Tilttable Angle : 30D

Life Expectancy : 50000 Burning Hrs

IP : 20

Control : Non Dimmable | Phase-cut | Analog | Dali | CCT tunable

Power : 220-240V, 50 / 60Hz

Maintenance : Bottom Maintenance. The Light engine with driver can be serviced from the bottom, without hampering the ceiling

DRIVER OPTIONS



SPECIAL ADDITIONAL FEATURES



Control by Remote, Keypad, APP



Voice Assistance



Scene Control by Remote, Keypad, APP



CCT Tunable

THINK LED, THINK UNISER

UNISER

INDUSTRIES PVT. LTD.

LED LIGHTING | SOLAR POWER | SMART AUTOMATION

To place your order, Please Contact Us

HELPDESK DETAILS :

414, Lotus House, 33-A, V Thackersey Marg, New Marine Lines,
Mumbai-400020, India

☎ +91-22-22000515 | 35114465 ☎ +91 9867625686

✉ sales@uniserledlights.com | www.uniserledlights.com