

UNISER

HOTELUXE SERIES



Bottom Maintenance Light Design

Thoughtful Light Engineering

Recessed | Trimless

MR16 Module

Fixed | Adjustable
module holder

Honeycomb | Lens filter
| IP44 filter

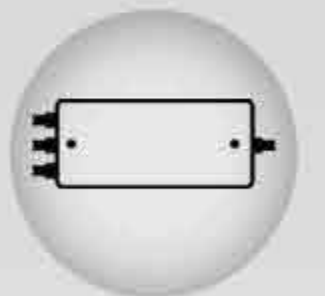
Colorful inner ring



Protects Ceiling
from Cracks
& Stains



Change/maintain LED
without removing
entire fixture

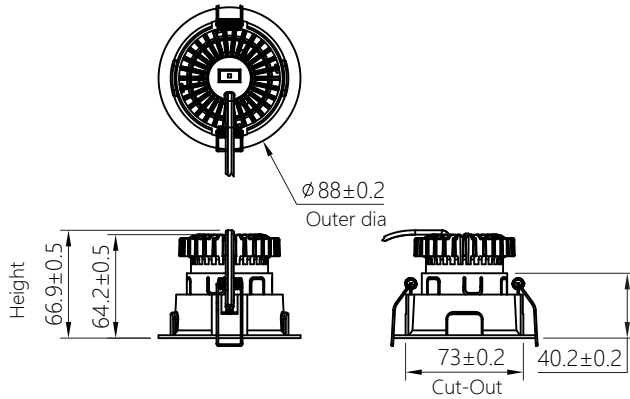


Change/maintain DRIVER
without removing
entire fixture

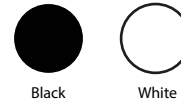
+91-22-35114465 | +91-22-22000515 +91-9867625686

projects@uniserledlights.com www.uniserledlights.com

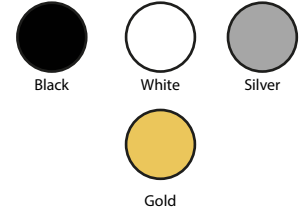
UNISER



Body Finish



Reflector Finish



HOTELUXE SERIES

Description : Recessed Fixed Downlight with Bottom Maintenance

Lumens : 110lm / W

Product Code : UCSN-HOTELUXE-6-9-12

Angle: Fixed Downlight

Wattage : 6W / 9W / 12W

Life Expectancy : 50,000 Burning Hrs

Beam Angle : 40°

IP : 20 / 44* (*for steamproof fitting)

CCT : 2700K / 3000K / 4000K / 5000K / 6000K

Control : Non Dimmable | Phase-cut | Analog | Dail |

CRI : 80 / 90(as required)

CCT tunable (with external driver)

THD : <15

Power : 220-240V, 50 / 60Hz

Material : Aluminium + Reflector

Maintenance : Bottom Maintenance, the light engine and driver can be serviced from the bottom, without hampering the ceiling

HOTELUXE SERIES ACCESSORIES

- * HONEY- COMB FILTER
- * REFLECTOR COLOR OPTIONS
- * STEAMPROOF SHIELD

DRIVER OPTIONS



SPECIAL ADDITIONAL FEATURES



Control by Remote, Keypad, APP



Voice Assistance



Scene Control by Remote, Keypad, APP



CCT Tunable

IDEALLY SUITED & EXCLUSIVELY CREATED FOR HOTELS & HOSPITALITY INDUSTRY

THINK LED, THINK UNISER

UNISER

INDUSTRIES PVT. LTD.

LED LIGHTING | SOLAR POWER | SMART AUTOMATION

To place your order, Please Contact Us

HELPDESK DETAILS :

414, Lotus House, 33-A, V Thackersey Marg, New Marine Lines,
Mumbai-400020, India

☎ +91-22-22000515 | 35114465 ☎ +91 9867625686

✉ sales@uniserledlights.com | www.uniserledlights.com